



Blue Cedar Cryptographic Module

FIPS 140-2 Non-Proprietary Security Policy

Document Version 1.9

September 29, 2020

Prepared for:

Prepared by:



Blue Cedar

325 Pacific Avenue
San Francisco, CA 94111
bluecedar.com
+1 877.290.5076

KeyPair Consulting Inc.

987 Osos Street
San Luis Obispo, CA 93401
keypair.us
+1 805.316.5024

References

<i>Reference</i>	<i>Full Specification Name</i>
[ANS X9.31]	<i>Digital Signatures Using Reversible Public Key Cryptography for the Financial Services Industry (rDSA)</i>
[FIPS 140-2]	<i>Security Requirements for Cryptographic Modules, May 25, 2001</i>
[FIPS 180-4]	<i>Secure Hash Standard (SHS)</i>
[FIPS 186-4]	<i>Digital Signature Standard (DSS)</i>
[FIPS 197]	<i>Advanced Encryption Standard (AES)</i>
[FIPS 198-1]	<i>The Keyed-Hash Message Authentication Code (HMAC)</i>
[IG]	<i>Implementation Guidance for FIPS 140-2 and the Cryptographic Module Validation Program</i>
[SP 800-38B]	<i>Recommendation for Block Cipher Modes of Operation: The CMAC Mode for Authentication</i>
[SP 800-38C]	<i>Recommendation for Block Cipher Modes of Operation: The CCM Mode for Authentication and Confidentiality</i>
[SP 800-38D]	<i>Recommendation for Block Cipher Modes of Operation: Galois/Counter Mode (GCM) and GMAC</i>
[SP 800-38E]	<i>Recommendation for Block Cipher Modes of Operation: the XTS-AES Mode for Confidentiality on Storage Devices</i>
[SP 800-56A]	<i>Recommendation for Pair-Wise Key-Establishment Schemes Using Discrete Logarithm Cryptography</i>
[SP 800-56B]	<i>Recommendation for Pair-Wise Key-Establishment Schemes Using Integer Factorization Cryptography</i>
[SP 800-57 R5]	<i>Recommendation for Key Management: Part 1 - General</i>
[SP 800-67 R2]	<i>Recommendation for the Triple Data Encryption Algorithm (TDEA) Block Cipher</i>
[SP 800-89]	<i>Recommendation for Obtaining Assurances for Digital Signature Applications</i>
[SP 800-90A R1]	<i>Recommendation for Random Number Generation Using Deterministic Random Bit Generators</i>
[SP 800-131A R2]	<i>Transitioning the Use of Cryptographic Algorithms and Key Lengths</i>

Table of Contents

1	Introduction	4
	<i>Table 1 - Security Level of Security Requirements</i>	<i>5</i>
	<i>Figure 1 - Module Block Diagram</i>	<i>6</i>
2	Tested Configurations	7
	<i>Table 2 - Tested Configurations</i>	<i>8</i>
3	Ports and Interfaces	9
	<i>Table 3 - Logical interfaces</i>	<i>9</i>
4	Modes of Operation and Cryptographic Functionality	10
	<i>Table 4 - FIPS Approved Cryptographic Functions</i>	<i>12</i>
	<i>Table 5 - Non-FIPS Approved but Allowed Cryptographic Functions</i>	<i>13</i>
	<i>Table 6 - FIPS Non-Approved Cryptographic Functions</i>	<i>13</i>
4.1	Critical Security Parameters and Public Keys.....	15
	<i>Table 7 - Critical Security Parameters.....</i>	<i>15</i>
	<i>Table 8 - Public Keys</i>	<i>15</i>
5	Roles, Authentication and Services	17
	<i>Table 9 - Services and CSP Access.....</i>	<i>18</i>
6	Self-Tests	19
	<i>Table 10 - Power-On Self-Tests (KAT = Known answer test; PCT = Pairwise consistency test).....</i>	<i>19</i>
	<i>Table 11 - Conditional Tests.....</i>	<i>20</i>
7	Operational Environment.....	20
8	Mitigation of other Attacks	20
	Appendix A Installation and Usage Guidance.....	21
	Appendix B Controlled Distribution File Fingerprint	24
	Appendix C Compilers	26
	<i>Table 12 - Compilers</i>	<i>27</i>

1 Introduction

This document is the non-proprietary security policy for the *Blue Cedar Cryptographic Module* (FIPS 140-2 Cert. #3226), hereafter referred to as the Module.

The Module is a software library providing a C-language application program interface (API) for use by other processes that require cryptographic functionality. The Module is classified by FIPS 140-2 as a software module, multi-chip standalone module embodiment. The physical cryptographic boundary is the general purpose computer on which the module is installed. The logical cryptographic boundary of the Module is the `fipscanister` object module, a single object module file named `fipscanister.o` (Linux^{®1}/Unix^{®2} and VxWorks^{®3}) or `fipscanister.lib` (Microsoft Windows^{®4}). The Module performs no communications other than with the calling application (the process that invokes the Module services).

The current version of the *Blue Cedar Cryptographic Module* is v2.0.16. This version is fully backwards compatible with all earlier revisions of the *Blue Cedar Cryptographic Module*. The v2.0.16 Module incorporates support for new platforms without disturbing functionality for any previously tested platforms. The Module includes versions v2.0.9, v2.0.10, v2.0.11, v2.0.12, v2.0.13, v2.0.14, v2.0.15, and v2.0.16.

The *Blue Cedar Cryptographic Module* is used in Blue Cedar's solutions for the iPhone, Android Phone, Linux VM, or bare metal. For more information, please visit:

<https://www.bluecedar.com/>

¹ Linux is the registered trademark of Linus Torvalds in the U.S. and other countries.

² UNIX is a registered trademark of The Open Group.

³ VxWorks is a registered trademark owned by Wind River Systems, Inc.

⁴ Windows is a registered trademark of Microsoft Corporation in the United States and other countries.

The FIPS 140-2 security levels for the Module are as follows:

Security Requirement	Security Level
Cryptographic Module Specification	1
Cryptographic Module Ports and Interfaces	1
Roles, Services, and Authentication	2
Finite State Model	1
Physical Security	NA
Operational Environment	1
Cryptographic Key Management	1
EMI/EMC	1
Self-Tests	1
Design Assurance	3
Mitigation of Other Attacks	NA

Table 1 - Security Level of Security Requirements

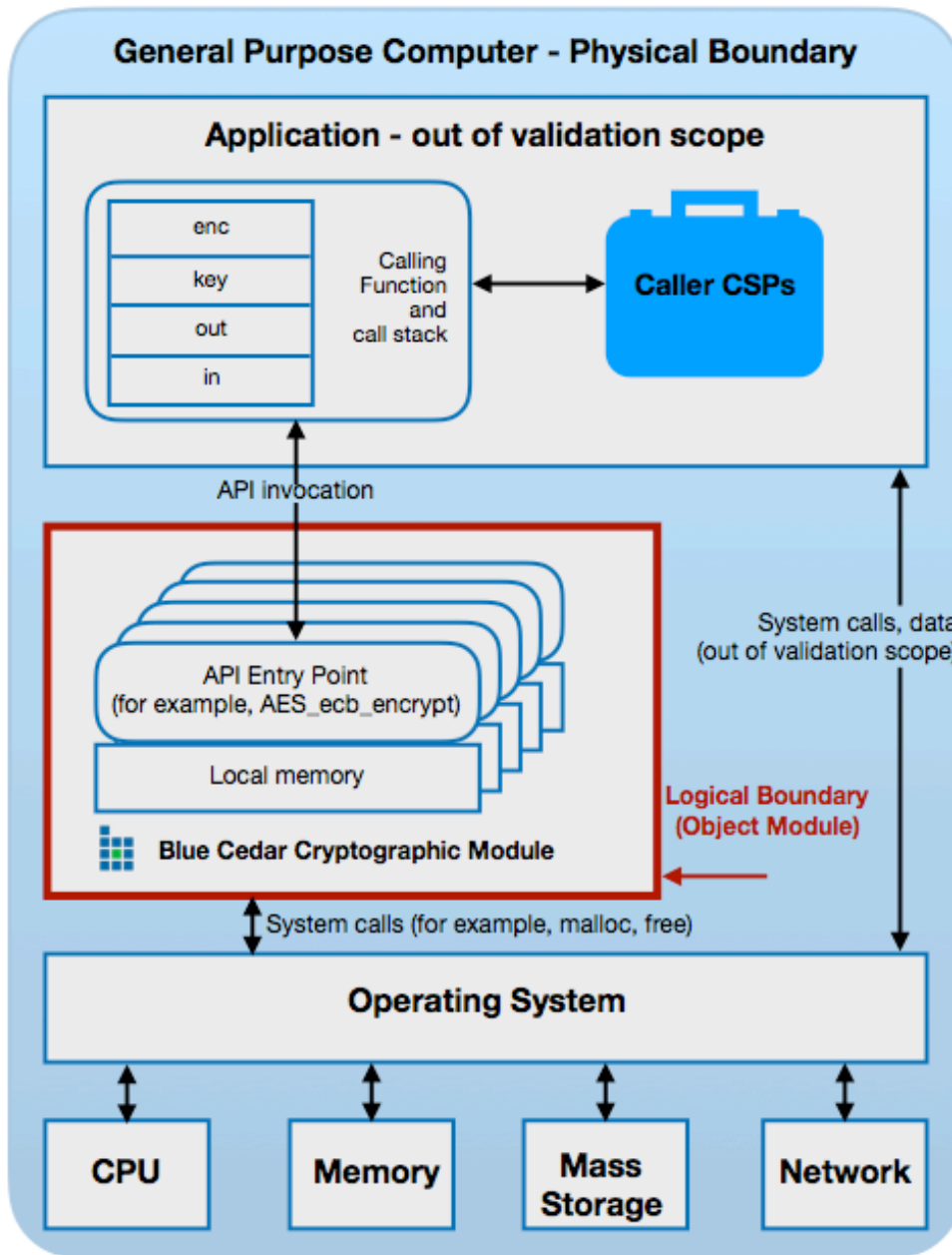


Figure 1 - Module Block Diagram

2 Tested Configurations

#	Operational Environment	Processor	Optimizations (Target)	EC	B
1	TS-Linux 2.4	Arm920Tid (ARMv4)	None	BKP	U2
2	iOS 8.1 64-bit	Apple A7 (ARMv8)	None	BKP	U2
3	iOS 8.1 64-bit	Apple A7 (ARMv8)	PAA	BKP	U2
4	VxWorks 6.9	Freescale P2020 (PPC)	None	BKP	U2
5	iOS 8.1 32-bit	Apple A7 (ARMv8)	None	BKP	U2
6	iOS 8.1 32-bit	Apple A7 (ARMv8)	PAA	BKP	U2
7	Android 5.0	Qualcomm APQ8084 (ARMv7)	None	BKP	U2
8	Android 5.0	Qualcomm APQ8084 (ARMv7)	PAA	BKP	U2
9	Android 5.0 64-bit	SAMSUNG Exynos7420 (ARMv8)	None	BKP	U2
10	Android 5.0 64-bit	SAMSUNG Exynos7420 (ARMv8)	PAA	BKP	U2
11	VxWorks 6.7	Intel Core 2 Duo (x86)	None	BKP	U2
12	AIX 6.1 32-bit	Power 7 (PPC)	None	BKP	U2
13	AIX 6.1 64-bit	Power 7 (PPC)	None	BKP	U2
14	AIX 7.1 32-bit	Power 7 (PPC)	None	BKP	U2
15	AIX 7.1 64-bit	Power 7 (PPC)	None	BKP	U2
16	DataGravity Discovery Series OS V2.0	Intel Xeon E5-2420 (x86)	None	BKP	U2
17	DataGravity Discovery Series OS V2.0	Intel Xeon E5-2420 (x86)	PAA	BKP	U2
18	AIX 6.1 32-bit	Power 7 (PPC)	PAA	BKP	U2
19	AIX 6.1 64-bit	Power 7 (PPC)	PAA	BKP	U2
20	Ubuntu 12.04	Intel Xeon E5-2430L (x86)	None	BKP	U2
21	Ubuntu 12.04	Intel Xeon E5-2430L (x86)	PAA	BKP	U2
22	Linux 3.10	Intel Atom E3845 (x86)	None	BKP	U2
23	Linux 3.10	Intel Atom E3845 (x86)	PAA	BKP	U2
24	AIX 7.1 32-bit	Power8 (PPC)	None	BKP	U2
25	AIX 7.1 64-bit	Power8 (PPC)	None	BKP	U2
26	AIX 7.1 32-bit	Power8 (PPC)	PAA	BKP	U2
27	AIX 7.1 64-bit	Power8 (PPC)	PAA	BKP	U2
28	AIX 7.2 32-bit	Power8 (PPC)	None	BKP	U2
29	AIX 7.2 32-bit	Power8 (PPC)	PAA	BKP	U2
30	AIX 7.2 64-bit	Power8 (PPC)	None	BKP	U2
31	AIX 7.2 64-bit	Power8 (PPC)	PAA	BKP	U2

#	Operational Environment	Processor	Optimizations (Target)	
			EC	B
32	AIX 7.2 32-bit	Power7 (PPC)	None	BKP U2
33	AIX 7.2 64-bit	Power7 (PPC)	None	BKP U2
34	ExtremeXOS-Linux 3.1	Cavium Octeon II (MIPS)	None	BKP U2
35	SurfWare 7.2	TI c64 DSP	None	BKP C1
36	ExtremeXOS-Linux 3.18	Cavium Octeon II (MIPS)	None	BKP U2
37	ExtremeXOS-Linux 3.18 32-bit	Intel Atom C2558 (x86)	None	BKP U2
38	ExtremeXOS-Linux 3.18 32-bit	Intel Atom C2558 (x86)	PAA	BKP U2
39	Debian 9	Intel Atom E3845 (x86)	None	BKP U2
40	Debian 9	Intel Atom E3845 (x86)	PAA	BKP U2
41	Linux 3.12	NXP T2080 (PPC)	None	BKP U2
42	Android 8.1	Nvidia Tegra X1	PAA	BKP U2
43	Android 8.1	Nvidia Tegra X1	None	BKP U2
44	Blue Cedar OS 1.0 on VMWare ESXi 5.1.0	Intel Xeon E5	PAA	BKP U2
45	Blue Cedar OS 1.0 on VMWare ESXi 5.1.0	Intel Xeon E5	None	BKP U2
46	iOS 12	Apple A10 Fusion	PAA	BKP U2

Table 2 - Tested Configurations

As described in [IG] 1.21, Processor Algorithm Acceleration (PAA) describes mathematical constructs and not the complete cryptographic algorithm (as defined in the NIST standards). Examples of PAA supported by the Module include AES-NI and NEON.

(B = Build Method; EC = Elliptic Curve Support). The EC column indicates support for prime curve only (P), or all NIST defined B, K, and P curves (BKP).

See Appendix A for additional information on build method and optimizations. See Appendix C for a list of the specific compilers used to generate the Module for the respective operational environments.

As allowed by Implementation Guidance for FIPS 140-2 [IG] G.5, *Maintaining validation compliance of software or firmware cryptographic modules*, the validation status of the Module is maintained when operated in the following additional operating environments:

- Android 9
- Android 10
- iOS 11
- iOS 13

The CMVP makes no statement as to the correct operation of the Module or the security strengths of the generated keys when the specific operational environment is not listed on the validation certificate.

3 Ports and Interfaces

The physical ports of the Module are the same as the computer system on which it is executing. The logical interface is a C-language application program interface (API).

Logical interface type	Description
Control input	API entry point and corresponding stack parameters
Data input	API entry point data input stack parameters
Status output	API entry point return values and status stack parameters
Data output	API entry point data output stack parameters

Table 3 - Logical interfaces

As a software module, control of the physical ports is outside module scope. However, when the module is performing self-tests, or is in an error state, all output on the logical data output interface is inhibited. The module is single-threaded and in error scenarios returns only an error value (no data output is returned).

4 Modes of Operation and Cryptographic Functionality

The Module supports a FIPS 140-2 Approved mode and a non-Approved Mode. Table 4 and Table 5 list the Approved and Non-approved but Allowed algorithms, respectively. Table 6 lists the non-Approved algorithms that shall not be used in the FIPS Approved mode of operation. All services available in the Approved mode of operation are available in the non-Approved mode with the addition of the non-Approved services.

Function	Algorithm	Options	Cert #
Random Number Generation; Symmetric key generation	[SP 800-90A R1] DRBG ⁵ Prediction resistance supported for all variations	Hash DRBG HMAC DRBG, no reseed CTR DRBG (AES), no derivation function	607
			723
			845
			1027
			1182
			1256
			1414
			1451
Encryption, Decryption and CMAC	[SP 800-67 R2]	3-Key TDES ECB, TCBC, TCFB, TOFB; CMAC generate and verify	2277
			1780
			1853
			1942
			2086
			2190
			2263
			2366
	[FIPS 197] AES [SP 800-38B] CMAC [SP 800-38C] CCM [SP 800-38D] GCM [SP 800-38E] XTS	128/ 192/256 ECB, CBC, OFB, CFB 1, CFB 8, CFB 128, CTR, XTS; CCM; GCM; CMAC generate and verify	2399
			2833
			3090
			3264
			3451
			3751
			3990
			4141
Message Digests	[FIPS 180-4]	SHA-1, SHA-2 (224, 256, 384, 512)	4391
			4469
			5644
			2553
			2702
			2847
			3121
			3294
3411			
3620			
3681			
4526			

⁵ For all DRBGs the "supported security strengths" is just the highest supported security strength per [SP 800-90A R1] and [SP 800-57 R5].

Function	Algorithm	Options	Cert #
Keyed Hash	[FIPS 198] HMAC	SHA-1, SHA-2 (224, 256, 384, 512)	1937 2063 2197 2452 2605 2714 2918 2966 3759
Digital Signature and Asymmetric Key Generation	[FIPS 186-2] RSA	SigGen9.31, SigGenPKCS1.5, SigGenPSS (4096 with all SHA-2 sizes) SigVer9.31, SigVerPKCS1.5, SigVerPSS (2048/3072/4096 with all SHA-2 sizes)	1581 1664 1766 1928 2048 2258 2374 2444 3036
	[FIPS 186-4] RSA	SigGen9.31, SigGenPKCS1.5, SigGenPSS (2048/3072 with all SHA-2 sizes)	1581 1664 1766 1928 2048 2258 2374 2444 3036
	[FIPS 186-4] DSA	PQG Gen, Key Pair Gen, Sig Gen (2048/3072 with all SHA-2 sizes) PQG Ver, Sig Ver (1024/2048/3072 with all SHA-2 sizes)	896 933 970 1040 1085 1124 1170 1195 1446
	[FIPS 186-4] ECDSA	PKG: CURVES(P-224 P-256 P-384 P-521 K-233 K-283 K-409 K-571 B-233 B-283 B-409 B-571 ExtraRandomBits TestingCandidates) PKV: CURVES(ALL-P ALL-K ALL-B) SigGen: CURVES(P-224: (SHA-224, 256, 384, 512) P-256: (SHA-224, 256, 384, 512) P-384: (SHA-224, 256, 384, 512) P-521: (SHA-224, 256, 384, 512) K-233: (SHA-224, 256, 384, 512) K-283: (SHA-224, 256, 384, 512) K-409: (SHA-224, 256, 384, 512) K-571: (SHA-224, 256, 384, 512)	558 620 698 801 886 952 1050 1091 1522

Function	Algorithm	Options	Cert #
		B-233: (SHA-224, 256, 384, 512) B-283: (SHA-224, 256, 384, 512) B-409: (SHA-224, 256, 384, 512) B-571: (SHA-224, 256, 384, 512)) SigVer: CURVES(P-192: (SHA-1, 224, 256, 384, 512) P-224: (SHA-1, 224, 256, 384, 512) P-256: (SHA-1, 224, 256, 384, 512) P-384: (SHA-1, 224, 256, 384, 512) P-521: (SHA-1, 224, 256, 384, 512) K-163: (SHA-1, 224, 256, 384, 512) K-233: (SHA-1, 224, 256, 384, 512) K-283: (SHA-1, 224, 256, 384, 512) K-409: (SHA-1, 224, 256, 384, 512) K-571: (SHA-1, 224, 256, 384, 512) B-163: (SHA-1, 224, 256, 384, 512) B-233: (SHA-1, 224, 256, 384, 512) B-283: (SHA-1, 224, 256, 384, 512) B-409: (SHA-1, 224, 256, 384, 512) B-571: (SHA-1, 224, 256, 384, 512))	
		PKG: CURVES(P-224 P-256 P-384 P-521) PKV: CURVES(ALL-P) SigGen: CURVES(P-224: (SHA-224, 256, 384, 512) P-256: (SHA-224, 256, 384, 512) P-384: (SHA-224, 256, 384, 512) P-521: (SHA-224, 256, 384, 512)) SigVer: CURVES(P-192: (SHA-1, 224, 256, 384, 512) P-224: (SHA-1, 224, 256, 384, 512) P-256: (SHA-1, 224, 256, 384, 512) P-384: (SHA-1, 224, 256, 384, 512) P-521: (SHA-1, 224, 256, 384, 512))	
ECC CDH (KAS)	[SP 800-56A] (\$5.7.1.2)	All NIST defined B, K and P curves except sizes 163 and 192	372 472 534 699 814 947 1094 1181 2039
		All NIST defined P curves	

Table 4 - FIPS Approved Cryptographic Functions

The Module supports only NIST defined curves for use with ECDSA and ECC CDH. The Module supports two operational environment configurations for elliptic curve; NIST prime curve only (listed in Table 2 with the EC column marked "P") and all NIST defined curves (listed in Table 2 with the EC column marked "BKP").

Category	Algorithm	Description
Key Agreement	EC DH	Non-compliant (untested) DH scheme using elliptic curve, supporting all NIST defined B, K and P curves except sizes 163 and 192. Key agreement is a service provided for calling process use, but is not used to establish keys into the Module.
Key Encryption, Decryption	RSA	The RSA algorithm may be used by the calling application for encryption or decryption of keys. No claim is made for SP 800-56B compliance, and no CSPs are established into or exported out of the module using these services.

Table 5 - Non-FIPS Approved but Allowed Cryptographic Functions

The Module implements the following services which are Non-Approved per the SP 800-131A and [IG] G.18 transitions:

Function	Algorithm	Options
Random Number Generation; Symmetric key generation	[ANS X9.31] RNG	AES 128/192/256
Random Number Generation; Symmetric key generation	[SP 800-90A R1] DRBG	Dual EC DRBG (note the Dual EC DRBG algorithm shall not be used in the FIPS Approved mode of operation)
Digital Signature and Asymmetric Key Generation	[FIPS 186-2] RSA	GenKey9.31 (1024/1536/2048/3072/4096) SigGen9.31, SigGenPKCS1.5, SigGenPSS (1024/1536/2048/3072 with all SHA sizes, 4096 with SHA-1)
	[FIPS 186-4] DSA	PQG Gen, Key Pair Gen, Sig Gen (1024 with all SHA sizes, 2048/3072 with SHA-1)
	[FIPS 186-4] ECDSA	PKG: CURVES(P-192 K-163 B-163) SigGen: CURVES(P-192: (SHA-1, 224, 256, 384, 512) P-224:(SHA-1) P-256:(SHA-1) P-384:(SHA-1) P-521:(SHA-1) K-163: (SHA-1, 224, 256, 384, 512) K-233:(SHA-1) K-283:(SHA-1) K-409:(SHA-1) K-571:(SHA-1) B-163: (SHA-1, 224, 256, 384, 512) B-233:(SHA-1) B-283:(SHA-1) B-409:(SHA-1) B-571:(SHA-1))
ECC CDH (CVL)	[SP 800-56A] (§5.7.1.2)	All NIST Recommended B, K and P curves sizes 163 and 192

Table 6 - FIPS Non-Approved Cryptographic Functions

X9.31 RNG is Non-Approved effective December 31, 2015, per the CMVP Notice "X9.31 RNG transition, December 31, 2015".

These algorithms shall not be used when operating in the FIPS Approved mode of operation.

EC DH Key Agreement provides a maximum of 256 bits of security strength. RSA Key Wrapping provides a maximum of 256 bits of security strength. For RSA Key Wrapping, modulus sizes between 2048 and 15360 are supported by the Module ($2048 \leq k \leq 15360$).

The Module requires an initialization sequence (see [IG] 9.5): the calling application invokes `FIPS_mode_set()`⁶, which returns a “1” for success and “0” for failure. If `FIPS_mode_set()` fails then all cryptographic services fail from then on. The application can test to see if FIPS mode has been successfully performed.

The Module is a cryptographic engine library, which can be used only in conjunction with additional software. Aside from the use of the NIST defined elliptic curves as trusted third-party domain parameters, all other FIPS 186-4 assurances are outside the scope of the Module, and are the responsibility of the calling process.

⁶ The function call in the Module is `FIPS_module_mode_set()` which is typically used by an application via the `FIPS_mode_set()` wrapper function.

4.1 Critical Security Parameters and Public Keys

All CSPs used by the Module are described in this section. All access to these CSPs by Module services are described in Section 4. The CSP names are generic, corresponding to API parameter data structures.

CSP Name	Description
RSA SGK	RSA (2048 to 16384 bits) signature generation key
RSA KDK	RSA (2048 to 16384 bits) key decryption (private key transport) key
DSA SGK	[FIPS 186-4] DSA (2048/3072) signature generation key
ECDSA SGK	ECDSA (All NIST defined B, K, and P curves except sizes 163 and 192) signature generation key
EC DH Private	EC DH (All NIST defined B, K, and P curves except sizes 163 and 192) private key agreement key.
AES EDK	AES (128/192/256) encrypt / decrypt key
AES CMAC	AES (128/192/256) CMAC generate / verify key
AES GCM	AES (128/192/256) encrypt / decrypt / generate / verify key
AES XTS	AES (256/512) XTS encrypt / decrypt key
TDES EDK	TDES (3-Key) encrypt / decrypt key
TDES CMAC	TDES (3-Key) CMAC generate / verify key
HMAC Key	Keyed hash key (160/224/256/384/512)
Hash_DRBG CSPs	V (440/888 bits) and C (440/888 bits), entropy input (length dependent on security strength)
HMAC_DRBG CSPs	V (160/224/256/384/512 bits) and Key (160/224/256/384/512 bits), entropy input (length dependent on security strength)
CTR_DRBG CSPs	V (128 bits) and Key (AES 128/192/256), entropy input (length dependent on security strength)
CO-AD-Digest	Pre-calculated HMAC-SHA-1 digest used for Crypto Officer role authentication
User-AD-Digest	Pre-calculated HMAC-SHA-1 digest used for User role authentication

Table 7 - Critical Security Parameters

Authentication data is loaded into the module during the module build process, performed by an authorized operator (Crypto Officer), and otherwise cannot be accessed.

The module does not output intermediate key generation values.

Public Key Name	Description
RSA SVK	RSA (2048 to 16384 bits) signature verification public key
RSA KEK	RSA (2048 to 16384 bits) key encryption (public key transport) key
DSA SVK	[FIPS 186-4] DSA (1024/2048/3072) signature verification key
ECDSA SVK	ECDSA (All NIST defined B, K and P curves) signature verification key
EC DH Public	EC DH (All NIST defined B, K and P curves) public key agreement key.

Table 8 - Public Keys

For all CSPs and Public Keys:

Storage: RAM, associated to entities by memory location. The Module stores DRBG state values for the lifetime of the DRBG instance. The module uses CSPs passed in by the calling application on the stack. The Module does not store any CSP persistently (beyond the lifetime of an API call), with the exception of DRBG state values used for the Modules' default key generation service.

Generation: The Module implements SP 800-90A compliant DRBG services for creation of symmetric keys, and for generation of DSA and elliptic curve keys as shown in Table 4. The calling application is responsible for storage of generated keys returned by the module.

Entry: All CSPs enter the Module's logical boundary in plaintext as API parameters, associated by memory location. However, none cross the physical boundary.

Output: The Module does not output CSPs, other than as explicit results of key generation services. However, none cross the physical boundary.

Destruction: Zeroization of sensitive data is performed automatically by API function calls for temporarily stored CSPs. In addition, the module provides functions to explicitly destroy CSPs related to random number generation services. The calling application is responsible for parameters passed in and out of the module.

Private and secret keys as well as seeds and entropy input are provided to the Module by the calling application, and are destroyed when released by the appropriate API function calls. Keys residing in internally allocated data structures (during the lifetime of an API call) can only be accessed using the Module defined API. The operating system protects memory and process space from unauthorized access. Only the calling application that creates or imports keys can use or export such keys. All API functions are executed by the invoking calling application in a non-overlapping sequence such that no two API functions will execute concurrently. An authorized application as user (Crypto-Officer and User) has access to all key data generated during the operation of the Module.

In the event Module power is lost and restored the calling application must ensure that any AES-GCM keys used for encryption or decryption are re-distributed.

Module users (the calling applications) shall use entropy sources that meet the security strength required for the random number generation mechanism as shown in [SP 800-90A R1] Table 2 (Hash_DRBG, HMAC_DRBG) and Table 3 (CTR_DRBG). This entropy is supplied by means of callback functions. Those functions must return an error if the minimum entropy strength cannot be met.

5 Roles, Authentication and Services

The Module implements the required User and Crypto Officer roles and requires authentication for those roles. Only one role may be active at a time and the Module does not allow concurrent operators. The User or Crypto Officer role is assumed by passing the appropriate password to the `FIPS_module_mode_set()` function. The password values may be specified at build time and must have a minimum length of 16 characters. Any attempt to authenticate with an invalid password will result in an immediate and permanent failure condition rendering the Module unable to enter the FIPS mode of operation, even with subsequent use of a correct password.

Authentication data is loaded into the Module during the Module build process, performed by the Crypto Officer, and otherwise cannot be accessed.

Since minimum password length is 16 characters, the probability of a random successful authentication attempt in one try is a maximum of $1/256^{16}$, or less than $1/10^{38}$. The Module permanently disables further authentication attempts after a single failure, so this probability is independent of time.

Both roles have access to all of the services provided by the Module.

- User Role (User): Loading the Module and calling any of the API functions.
- Crypto Officer Role (CO): Installation of the Module on the host computer system and calling of any API functions.

All services implemented by the Module are listed below, along with a description of service CSP access.

Service	Role	Description
Initialize	User, CO	Module initialization. Does not access CSPs.
Self-test	User, CO	Perform self-tests (FIPS_selftest). Does not access CSPs.
Show status	User, CO	Functions that provide module status information: <ul style="list-style-type: none"> • Version (as unsigned long or const char *) • FIPS Mode (Boolean) Does not access CSPs.
Zeroize	User, CO	Functions that destroy CSPs: <ul style="list-style-type: none"> • <code>fips_drbg_uninstantiate</code>: for a given DRBG context, overwrites DRBG CSPs (Hash_DRBG CSPs, HMAC_DRBG CSPs, CTR_DRBG CSPs) All other services automatically overwrite CSPs stored in allocated memory. Stack cleanup is the responsibility of the calling application.
Random number generation	User, CO	Used for random number and symmetric key generation. <ul style="list-style-type: none"> • Seed or reseed a DRBG instance • Determine security strength of a DRBG instance • Obtain random data Uses and updates Hash_DRBG CSPs, HMAC_DRBG CSPs, CTR_DRBG CSPs.

Service	Role	Description
Asymmetric key generation	User, CO	Used to generate DSA and ECDSA keys: DSA SGK, DSA SVK; ECDSA SGK, ECDSA SVK There is one supported entropy strength for each mechanism and algorithm type, the maximum specified in [SP 800-90A R1]
Symmetric encrypt/decrypt	User, CO	Used to encrypt or decrypt data. Executes using AES EDK, TDES EDK (passed in by the calling process).
Symmetric digest	User, CO	Used to generate or verify data integrity with CMAC. Executes using AES CMAC, TDES, CMAC (passed in by the calling process).
Message digest	User, CO	Used to generate a SHA-1 or SHA-2 message digest. Does not access CSPs.
Keyed Hash	User, CO	Used to generate or verify data integrity with HMAC. Executes using HMAC Key (passed in by the calling process).
Key transport⁷	User, CO	Used to encrypt or decrypt a key value on behalf of the calling process (does not establish keys into the module). Executes using RSA KDK, RSA KEK (passed in by the calling process).
Key agreement	User, CO	Used to perform key agreement primitives on behalf of the calling process (does not establish keys into the module). Executes using EC DH Private, EC DH Public (passed in by the calling process).
Digital signature	User, CO	Used to generate or verify RSA, DSA or ECDSA digital signatures. Executes using RSA SGK, RSA SVK; DSA SGK, DSA SVK; ECDSA SGK, ECDSA SVK (passed in by the calling process).
Utility	User, CO	Miscellaneous helper functions. Does not access CSPs.

Table 9 - Services and CSP Access

⁷ "Key transport" can refer to a) moving keys in and out of the module or b) the use of keys by an external application. The latter definition is the one that applies to the *Module*.

6 Self-Tests

The Module performs the self-tests listed below on invocation of Initialize or Self-test.

Algorithm	Type	Test Attributes
Software integrity	KAT	HMAC-SHA1
HMAC	KAT	One KAT per SHA1, SHA224, SHA256, SHA384 and SHA512 Per [IG] 9.3, this testing covers SHA POST requirements.
AES	KAT	Separate encrypt and decrypt, ECB mode, 128-bit key length
AES CCM	KAT	Separate encrypt and decrypt, 192 key length
AES GCM	KAT	Separate encrypt and decrypt, 256 key length
XTS-AES	KAT	128, 256 bit key sizes to support either the 256-bit key size (for XTS-AES-128) or the 512-bit key size (for XTS-AES-256)
AES CMAC	KAT	Sign and verify CBC mode, 128, 192, 256 key lengths
TDES	KAT	Separate encrypt and decrypt, ECB mode, 3-Key
TDES CMAC	KAT	CMAC generate and verify, CBC mode, 3-Key
RSA	KAT	Sign and verify using 2048 bit key, SHA-256, PKCS#1
DSA	PCT	Sign and verify using 2048 bit key, SHA-384
DRBG	KAT	CTR_DRBG: AES, 256 bits with and without derivation function HASH_DRBG: SHA256 HMAC_DRBG: SHA256 Dual_EC_DRBG ⁸ : P-256 and SHA256
ECDSA	PCT	Keygen, sign, verify using P-224, K-233 and SHA512. The K-233 self-test is not performed for operational environments that support prime curve only (see Table 2).
ECC CDH	KAT	Shared secret calculation per SP 800-56A §5.7.1.2, [IG] 9.6

Table 10 - Power-On Self-Tests (KAT = Known answer test; PCT = Pairwise consistency test)

The Module is installed using one of the set of instructions in Appendix A, as appropriate for the target system. The HMAC-SHA-1 of the Module distribution file as tested by the CMT Laboratory and listed in Appendix A is verified during installation of the Module file as described in Appendix A.

The `FIPS_mode_set()`⁹ function performs all power-up self-tests listed above with no operator intervention required, returning a “1” if all power-up self-tests succeed, and a “0” otherwise. If any component of the power-up self-test fails an internal flag is set to prevent subsequent invocation of any cryptographic function calls. The module will only enter the FIPS Approved mode if the module is reloaded and the call to `FIPS_mode_set()`⁸ succeeds.

The power-up self-tests may also be performed on-demand by calling `FIPS_selftest()`, which returns a “1” for success and “0” for failure. Interpretation of this return code is the responsibility of the calling application.

⁸ The module performs a self-test for the disallowed Dual EC DRBG algorithm. This test is not required per [IG] 9.4.

⁹ `FIPS_mode_set()` calls Module function `FIPS_module_mode_set()`

The Module also implements the following conditional tests:

Algorithm	Test
DRBG	Tested as required by [SP 800-90A R1] Section 11
DRBG	FIPS 140-2 continuous test for stuck fault
DSA	Pairwise consistency test on each generation of a key pair
ECDSA	Pairwise consistency test on each generation of a key pair
RSA¹⁰	Pairwise consistency test on each generation of a key pair

Table 11 - Conditional Tests

In the event of a DRBG self-test failure the calling application must unstantiate and re-instantiate the DRBG per the requirements of [SP 800-90A R1]; this is not something the Module can do itself.

Pairwise consistency tests are performed for both possible modes of use, e.g. Sign/Verify and Encrypt/Decrypt.

The Module supports two operational environment configurations for elliptic curve: NIST prime curves only (listed in Table 2 with the EC column marked "P") and all NIST defined curves (listed in Table 2 with the EC column marked "BKP").

7 Operational Environment

The tested operating systems segregate user processes into separate process spaces. Each process space is logically separated from all other processes by the operating system software and hardware. The Module functions entirely within the process space of the calling application, and implicitly satisfies the FIPS 140-2 requirement for a single user mode of operation.

8 Mitigation of other Attacks

The module is not designed to mitigate against attacks which are outside of the scope of FIPS 140-2.

¹⁰ The module performs a pairwise consistency test for the disallowed RSA key generation function. This test is not required per [IG] 9.9.

Appendix A Installation and Usage Guidance

The test platforms represent different combinations of installation instructions. For each platform, there is a build system, the host providing the build environment in which the installation instructions are executed, and a target system on which the generated object code is executed. The build and target systems may be the same type of system or even the same device, or may be different systems – the Module supports cross-compilation environments.

Each of these command sets are relative to the top of the directory containing the uncompressed and expanded contents of the distribution files *openssl-fips-2.0.16.tar.gz* (all NIST defined curves as listed in Table 2 with the EC column marked "BKP") or *openssl-fips-ecp-2.0.16.tar.gz* (NIST prime curves only as listed in Table 2 with the EC column marked "P"). The command sets are:

```
U1:
    ./config no-asm
    make
    make install
```

```
U2:
    ./config
    make
    make install
```

```
W1:
    ms\do_fips no-asm
```

```
W2:
    ms\do_fips
```

```
C1:
    c6x/do_fips
```

Installation instructions

1. Download and copy the distribution file to the build system. These files can be downloaded from <https://www.openssl.org/source/>.
2. Verify the HMAC-SHA-1 digest of the distribution file; see Appendix B. An independently acquired FIPS 140-2 validated implementation of SHA-1 HMAC must be used for this digest verification. Note that this verification can be performed on any convenient system and not necessarily on the specific build or target system.

3. Unpack the distribution

```
gunzip -c openssl-fips-2.0.16.tar.gz | tar xf -
cd openssl-fips-2.0.16
```

or

```
gunzip -c openssl-fips-ecp-2.0.16.tar.gz | tar xf -
cd openssl-fips-ecp-2.0.16
```

4. Execute one of the installation command sets U1, W1, U2, W2 as shown above. No other command sets shall be used.

5. The resulting *fipscanister.o* or *fipscanister.lib* file is now available for use.
6. The calling application enables FIPS mode by calling the `FIPS_mode_set()`⁹ function.

Note that failure to use one of the specified commands sets exactly as shown will result in a module that cannot be considered compliant with FIPS 140-2.

Linking the Runtime Executable Application

Note that applications interfacing with the FIPS Object Module are outside of the cryptographic boundary. When linking the application with the FIPS Object Module two steps are necessary:

1. The HMAC-SHA-1 digest of the FIPS Object Module file must be calculated and verified against the installed digest to ensure the integrity of the FIPS object module.
2. A HMAC-SHA1 digest of the FIPS Object Module must be generated and embedded in the FIPS Object Module for use by the `FIPS_mode_set()`⁹ function at runtime initialization.

The `fips_standalone_sha1` command can be used to perform the verification of the FIPS Object Module and to generate the new HMAC-SHA-1 digest for the runtime executable application. Failure to embed the digest in the executable object will prevent initialization of FIPS mode.

At runtime, the `FIPS_mode_set()`¹¹ function compares the embedded HMAC-SHA-1 digest with a digest generated from the FIPS Object Module object code. This digest is the final link in the chain of validation from the original source to the runtime executable application file.

Optimization

The “asm” designation means that assembler language optimizations were enabled when the binary code was built, “no-asm” means that only C language code was compiled.

For OpenSSL with x86 there are three possible optimization levels:

1. No optimization (plain C)
2. SSE2 optimization
3. AES-NI+PCLMULQDQ+SSSE3 optimization

Other theoretically possible combinations (e.g. AES-NI only, or SSE3 only) are not addressed individually, so that a processor which does not support all three of AES-NI, PCLMULQDQ, and SSSE3 will fall back to SSE2 optimization.

For more information, see:

- <http://www.intel.com/support/processors/sb/CS-030123.htm?wapkw=sse2>
- <http://software.intel.com/en-us/articles/intel-advanced-encryption-standard-instructions-aes-ni/?wapkw=aes-ni>

¹¹ `FIPS_mode_set()` calls the Module function `FIPS_module_mode_set()`

For OpenSSL with ARM there are two possible optimization levels:

1. Without NEON
2. With NEON (ARM7 only)

For more information, see <http://www.arm.com/products/processors/technologies/neon.php>

Appendix B Controlled Distribution File Fingerprint

The *Blue Cedar Cryptographic Module* v2.0.16 consists of the OpenSSL FIPS Object Module v2.0.16 (the *fipscanister.o* or *fipscanister.lib* contiguous unit of binary object code) generated from the specific source files.

For all NIST defined curves (listed in Table 2 with the EC column marked "BKP") the source files are in the specific special OpenSSL distribution *openssl-fips-2.0.16.tar.gz* with HMAC-SHA-1 digest of

```
e8dbfa6cb9e22a049ec625ffb7ccaf33e6116598
```

located at <http://www.openssl.org/source/openssl-fips-2.0.16.tar.gz>.

The `openssl` command from a version of OpenSSL that incorporates a previously validated version of the module may be used:

```
openssl sha1 -hmac etaonrishdlcupfm openssl-fips-2.0.16.tar.gz
```

For NIST prime curves only (listed in Table 2 with the EC column marked "P") the source files are in the specific special OpenSSL distribution *openssl-fips-ecp-2.0.16.tar.gz* with HMAC-SHA-1 digest of

```
205ce773d4d6a7abbcee2cf6ca9e923a0d120f1a
```

located at <http://www.openssl.org/source/openssl-fips-ecp-2.0.16.tar.gz>. Note this is from the previous revision of the Blue Cedar Cryptographic Module as no modifications relevant to NIST prime curves only were introduced in revision 2.0.16.

The set of files specified in this tar file constitutes the complete set of source files of this module. There shall be no additions, deletions, or alterations of this set as used during module build. The OpenSSL distribution tar file (and patch file if used) shall be verified using the above HMAC-SHA-1 digest(s).

The arbitrary 16-byte key of:

```
65 74 61 6f 6e 72 69 73 68 64 6c 63 75 70 66 6d
```

(equivalent to the ASCII string "etaonrishdlcupfm") is used to generate the HMAC-SHA-1 value for the Blue Cedar Cryptographic Module integrity check.

The functionality of all earlier revisions of the Blue Cedar Cryptographic Module are subsumed by this latest revision, so there is no reason to use older revisions for any new deployments. However, older revisions remain valid. The source distribution files and corresponding HMAC-SHA-1 digests are listed below:

`openssl-fips-2.0.15.tar.gz`

URL: <http://www.openssl.org/source/old/fips/openssl-fips-2.0.15.tar.gz>

Digest: b4967baaff637dda636224fdc732992dc5a5dd77

`openssl-fips-ecp-2.0.15.tar.gz`

URL: <http://www.openssl.org/source/old/fips/openssl-fips-ecp-2.0.15.tar.gz>

Digest: 79038b02ac9ea08a63ce3fc60e493e3a0a728ebd

openssl-fips-2.0.14.tar.gz

URL: <http://www.openssl.org/source/old/fips/openssl-fips-2.0.14.tar.gz>

Digest: fa4eea2c159885c896f4760dcc73efe59244f1d

openssl-fips-ecp-2.0.14.tar.gz

URL: <http://www.openssl.org/source/old/fips/openssl-fips-ecp-2.0.14.tar.gz>

Digest: bf676ee9f52b30e9f7348d19d5e6bf5b244ccf52

openssl-fips-2.0.13.tar.gz

URL: <http://www.openssl.org/source/old/fips/openssl-fips-2.0.13.tar.gz>

Digest: 26f923491458df77a1f4c6ce39fef2f5bea88cd5

openssl-fips-ecp-2.0.13.tar.gz

URL: <http://www.openssl.org/source/old/fips/openssl-fips-ecp-2.0.13.tar.gz>

Digest: bd935902af260cceb29d30708c7ed5461698280d

openssl-fips-2.0.12.tar.gz

URL: <http://www.openssl.org/source/old/fips/openssl-fips-2.0.12.tar.gz>

Digest: 86ec30179f1bfb2edde4ababf0fb519ba7380b69

openssl-fips-ecp-2.0.12.tar.gz

URL: <http://www.openssl.org/source/old/fips/openssl-fips-ecp-2.0.12.tar.gz>

Digest: 3da3e6d610378ad4b6ee2638a141c17cb3a2aabf

openssl-fips-2.0.11.tar.gz

URL: <http://www.openssl.org/source/old/fips/openssl-fips-2.0.11.tar.gz>

Digest: b9d2a466c66841fcbf65a3cbe21abf81fe140bcf

openssl-fips-ecp-2.0.11.tar.gz

URL: <http://www.openssl.org/source/old/fips/openssl-fips-ecp-2.0.11.tar.gz>

Digest: 571662bb0e413bd42f612c695c0b76deb2e9b33e

openssl-fips-2.0.10.tar.gz

URL: <http://www.openssl.org/source/old/fips/openssl-fips-2.0.10.tar.gz>

Digest: af8bda4bb9739e35b4ef00a9bc40d21a6a97a780

openssl-fips-ecp-2.0.10.tar.gz

URL: <http://www.openssl.org/source/old/fips/openssl-fips-ecp-2.0.10.tar.gz>

Digest: 02cc9ddfffb2e917d1cdc9ebc97a9731c40f6394

openssl-fips-2.0.9.tar.gz

URL: <http://www.openssl.org/source/old/fips/openssl-fips-2.0.9.tar.gz>

Digest: 54552e9a3ed8d1561341e8945fcdec55af961322

openssl-fips-ecp-2.0.9.tar.gz

URL: <http://www.openssl.org/source/old/fips/openssl-fips-ecp-2.0.9.tar.gz>

Digest: 91d267688713c920f85bc5e69c8b5d34e1112672

Note that older versions of the FIPS module are migrated from <http://www.openssl.org/source/> to <http://www.openssl.org/source/old/fips/>, so depending on the time at which this document is referenced the URLs above may need to be adjusted accordingly.

Appendix C Compilers

This appendix lists the specific compilers used to generate the Module for the respective Operational Environments. Note this list does not imply that use of the Module is restricted to only the listed compiler versions, only that the use of other versions has not been confirmed to produce a correct result.

#	Operational Environment	Compiler
1	TS-Linux 2.4	gcc 4.3.2
2	iOS 8.1 64-bit	clang-600.0.56
3	iOS 8.1 64-bit	clang-600.0.56
4	VxWorks 6.9	gcc 4.3.3
5	iOS 8.1 32-bit	clang-600.0.56
6	iOS 8.1 32-bit	clang-600.0.56
7	Android 5.0	gcc 4.9
8	Android 5.0	gcc 4.9
9	Android 5.0 64-bit	gcc 4.9
10	Android 5.0 64-bit	gcc 4.9
11	VxWorks 6.7	gcc 4.1.2
12	AIX 6.1 32-bit	IBM XL C/C++ for AIX, V13.1
13	AIX 6.1 64-bit	IBM XL C/C++ for AIX, V13.1
14	AIX 7.1 32-bit	IBM XL C/C++ for AIX, V13.1
15	AIX 7.1 64-bit	IBM XL C/C++ for AIX, V13.1
16	DataGravity Discovery Series OS V2.0	gcc 4.7.2
17	DataGravity Discovery Series OS V2.0	gcc 4.7.2
18	AIX 6.1 32-bit	IBM XL C/C++ for AIX, V10.1
19	AIX 6.1 64-bit	IBM XL C/C++ for AIX, V10.1
20	Ubuntu 12.04	gcc 4.6.3
21	Ubuntu 12.04	gcc 4.6.3
22	Linux 3.10	gcc 4.8.1
23	Linux 3.10	gcc 4.8.1
24	AIX 7.1 32-bit	IBM XL V13.1
25	AIX 7.1 64-bit	IBM XL V13.1
26	AIX 7.1 32-bit	IBM XL V13.1
27	AIX 7.1 64-bit	IBM XL V13.1
28	AIX 7.2 32-bit	IBM XL V13.1
29	AIX 7.2 32-bit	IBM XL V13.1
30	AIX 7.2 64-bit	IBM XL V13.1
31	AIX 7.2 64-bit	IBM XL V13.1
32	AIX 7.2 32-bit	IBM XL V13.1

#	Operational Environment	Compiler
33	AIX 7.2 64-bit	IBM XL V13.1
34	ExtremeXOS-Linux 3.1	gcc 4.9.2
35	SurfWare 7.2	TMS320C6x 6.0.19
36	ExtremeXOS-Linux 3.18	gcc 4.9.2
37	ExtremeXOS-Linux 3.18 32-bit	gcc 4.9.2
38	ExtremeXOS-Linux 3.18 32-bit	gcc 4.9.2
39	Debian 9	gcc 6.3.0
40	Debian 9	gcc 6.3.0
41	Linux 3.12	gcc 4.9.2
42	Android 8.1	gcc 5.4.0
43	Android 8.1	gcc 5.4.0
44	Blue Cedar OS 1.0	gcc 4.4.7
45	Blue Cedar OS 1.0	gcc 4.4.7
46	iOS 12	clang-1000.11.45.2

Table 12 - Compilers