



## FIPS 140-3 Non-Proprietary Security Policy

---

### Oracle Linux 9 NSS Cryptographic Module

FIPS 140-3 Level 1 Validation

Software Version: 4.35.0-381552536e763d0c

**Prepared by:**

**atsec information security corporation**

**4516 Seton Center Pkwy, Suite 250**

**Austin, TX 78759**

[www.atsec.com](http://www.atsec.com)



**Title:** Oracle Linux 9 NSS Cryptographic Module

**Date:** September 6<sup>th</sup>, 2024

**Contributing Authors:**

Oracle Linux Engineering

Security Evaluations – Global Product Security

atsec information security

Oracle Corporation

World Headquarters

2300 Oracle Way

Austin, TX 78741

U.S.A.

Worldwide Inquiries:

Phone: +1.650.506.7000

Fax: +1.650.506.7200

[www.oracle.com](http://www.oracle.com)



Copyright © 2024, Oracle and/or its affiliates. All rights reserved. This document is provided for information purposes only and the contents hereof are subject to change without notice. This document is not warranted to be error-free, nor subject to any other warranties or conditions, whether expressed orally or implied in law, including implied warranties and conditions of merchantability or fitness for a particular purpose. Oracle specifically disclaim any liability with respect to this document and no contractual obligations are formed either directly or indirectly by this document. This document may be reproduced or distributed whole and intact including this copyright notice.

Oracle and Java are registered trademarks of Oracle and/or its affiliates. Other names may be trademarks of their respective owners.

**Hardware and Software, Engineered to Work Together**



## Table of Contents

<b>1</b>	<b>General</b> .....	<b>1</b>
<b>1.1</b>	<b>Overview</b> .....	<b>1</b>
<b>1.1.1</b>	<b>How this Security Policy Was Prepared</b> .....	<b>1</b>
<b>1.2</b>	<b>Security Levels</b> .....	<b>1</b>
<b>2</b>	<b>Cryptographic Module Specification</b> .....	<b>2</b>
<b>2.1</b>	<b>Description</b> .....	<b>2</b>
<b>2.2</b>	<b>Tested and Vendor Affirmed Version and Identification</b> .....	<b>3</b>
<b>2.3</b>	<b>Excluded Components</b> .....	<b>3</b>
<b>2.4</b>	<b>Modes of Operation</b> .....	<b>3</b>
<b>2.5</b>	<b>Algorithms</b> .....	<b>4</b>
<b>2.6</b>	<b>Security Function Implementations</b> .....	<b>10</b>
<b>2.7</b>	<b>Algorithm Specific Information</b> .....	<b>11</b>
<b>2.7.1</b>	<b>AES GCM IV</b> .....	<b>11</b>
<b>2.7.2</b>	<b>Key Derivation using SP 800-132 PBKDF2</b> .....	<b>11</b>
<b>2.7.3</b>	<b>SP 800-56Ar3 Assurances</b> .....	<b>12</b>
<b>2.8</b>	<b>RNG and Entropy</b> .....	<b>12</b>
<b>2.9</b>	<b>Key Generation</b> .....	<b>12</b>
<b>2.10</b>	<b>Key Establishment</b> .....	<b>14</b>
<b>2.11</b>	<b>Industry Protocols</b> .....	<b>14</b>
<b>3</b>	<b>Cryptographic Module Interfaces</b> .....	<b>15</b>
<b>3.1</b>	<b>Description</b> .....	<b>15</b>
<b>3.2</b>	<b>Trusted Channel Specification</b> .....	<b>15</b>
<b>3.3</b>	<b>Control Interface Not Inhibited</b> .....	<b>15</b>
<b>4</b>	<b>Roles, Services, and Authentication</b> .....	<b>16</b>
<b>4.1</b>	<b>Authentication Methods</b> .....	<b>16</b>
<b>4.2</b>	<b>Roles</b> .....	<b>16</b>
<b>4.3</b>	<b>Approved Services</b> .....	<b>16</b>
<b>4.4</b>	<b>Non-Approved Services</b> .....	<b>19</b>
<b>4.5</b>	<b>External Software/Firmware Loaded</b> .....	<b>19</b>
<b>4.6</b>	<b>Bypass Actions and Status</b> .....	<b>19</b>
<b>4.7</b>	<b>Cryptographic Output Actions and Status</b> .....	<b>19</b>
<b>5</b>	<b>Software/Firmware Security</b> .....	<b>20</b>
<b>5.1</b>	<b>Integrity Techniques</b> .....	<b>20</b>
<b>5.2</b>	<b>Initiate on Demand</b> .....	<b>20</b>
<b>6</b>	<b>Operational Environment</b> .....	<b>21</b>
<b>6.1</b>	<b>Operational Environment Type and Requirements</b> .....	<b>21</b>
<b>6.2</b>	<b>Configurable Settings and Restrictions</b> .....	<b>21</b>
<b>7</b>	<b>Physical Security</b> .....	<b>22</b>
<b>8</b>	<b>Non-Invasive Security</b> .....	<b>23</b>
<b>9</b>	<b>Sensitive Security Parameters Management</b> .....	<b>24</b>
<b>9.1</b>	<b>Storage Areas</b> .....	<b>24</b>
<b>9.2</b>	<b>SSP Input-Output Methods</b> .....	<b>24</b>



9.3	SSP Zeroization Methods .....	24
9.4	SSPs .....	24
9.5	Transitions .....	28
10	Self-Tests .....	29
10.1	Pre-Operational Self-Tests .....	29
10.2	Conditional Self-Tests .....	29
10.3	Periodic Self-Tests.....	30
10.4	Error States.....	30
10.5	Operator Initiation.....	31
11	Life-Cycle Assurance .....	32
11.1	Startup Procedures .....	32
11.2	Administrator Guidance.....	32
11.3	Non-Administrator Guidance .....	32
11.4	Maintenance Requirements.....	32
11.5	End of Life.....	32
12	Mitigation of Other Attacks .....	33
13	Glossary and Abbreviations .....	34
14	References.....	35

## List of Tables

Table 1 - Security Levels .....	1
Table 2 - Tested Module Identification .....	3
Table 3 - Tested Operational Environments.....	3
Table 4 - Vendor Affirmed Operational Environments .....	3
Table 5 - Modes List and Description .....	3
Table 6 - Approved Algorithms .....	9
Table 7 - Vendor Affirmed Algorithms .....	9
Table 8 - Non-Approved, Not Allowed Algorithms .....	10
Table 9 - Security Function Implementations.....	11
Table 10 – Entropy .....	12
Table 11 - Key Generation .....	13
Table 12 - Key Establishment.....	14
Table 13 - Ports and Interfaces .....	15
Table 14 – Roles .....	16
Table 15 – Approved Services.....	18
Table 16 - Non-Approved Services.....	19
Table 17 – Storage Areas .....	24
Table 18 – SSP Input-Output.....	24
Table 19 - SSP Zeroization Methods.....	24
Table 20 – SSP Information First.....	26
Table 21 – SSP Information Second .....	28
Table 22 - Pre-Operational Self-Tests .....	29
Table 23 - Conditional Self-Tests.....	30
Table 24 - Error States .....	31

## List of Figures

Figure 1 – Block Diagram .....	2
--------------------------------	---



# 1 General

## 1.1 Overview

This document is the non-proprietary FIPS 140-3 Security Policy for software version 4.35.0-381552536e763d0c of the Oracle Linux 9 NSS Cryptographic Module. It contains the security rules under which the module must operate and describes how this module meets the requirements as specified in FIPS PUB 140-3 (Federal Information Processing Standards Publication 140-3) for an overall Security Level 1 module.

This Non-Proprietary Security Policy may be reproduced and distributed, but only whole and intact and including this notice. Other documentation is proprietary to their authors.

### 1.1.1 How this Security Policy Was Prepared

In preparing the Security Policy document, the laboratory formatted the vendor-supplied documentation for consolidation without altering the technical statements therein contained. The further refining of the Security Policy document was conducted iteratively throughout the conformance testing, wherein the Security Policy was submitted to the vendor, who would then edit, modify, and add technical contents. The vendor would also supply additional documentation, which the laboratory formatted into the existing Security Policy, and resubmitted to the vendor for their final editing.

## 1.2 Security Levels

Table 1 describes the individual security areas of FIPS 140-3, as well as the security levels of those individual areas.

ISO/IEC 24759 Section 6 Subsections	FIPS 140-3 Section Title	Security Level
1	General	1
2	Cryptographic Module Specification	1
3	Cryptographic Module Interfaces	1
4	Roles, Services, and Authentication	1
5	Software/Firmware Security	1
6	Operational Environment	1
7	Physical Security	Not Applicable
8	Non-invasive Security	Not Applicable
9	Sensitive Security Parameter Management	1
10	Self-tests	1
11	Life-cycle Assurance	1
12	Mitigation of Other Attacks	1
Overall Level		1

Table 1 - Security Levels

## 2 Cryptographic Module Specification

### 2.1 Description

**Purpose and Use:** The Oracle Linux 9 NSS Cryptographic Module (hereafter referred to as “the module”) is defined as a software module in a multi-chip standalone embodiment. It provides a C language application program interface (API) designed to support cross-platform development of security-enabled client and server applications. Applications built with NSS can support SSLv3, TLS, IKEv2, PKCS#5, PKCS#7, PKCS#11, PKCS#12, S/MIME, X.509 v3 certificates, and other security standards supporting FIPS 140-3 validated cryptographic algorithms. It combines a vertical stack of Linux components intended to limit the external interface each separate component may provide.

**Module Type:** Software

**Module Embodiment:** Multi-chip standalone

**Module Characteristics:** N/A

**Cryptographic Boundary:** Figure 1 shows the cryptographic boundary of the module, its interfaces with the operational environment and the flow of information between the module and operator (depicted through the arrows).

**Tested Operational Environment’s Physical Perimeter (TOEPP):** The TOEPP of the module is defined as the general-purpose computer on which the module is installed.

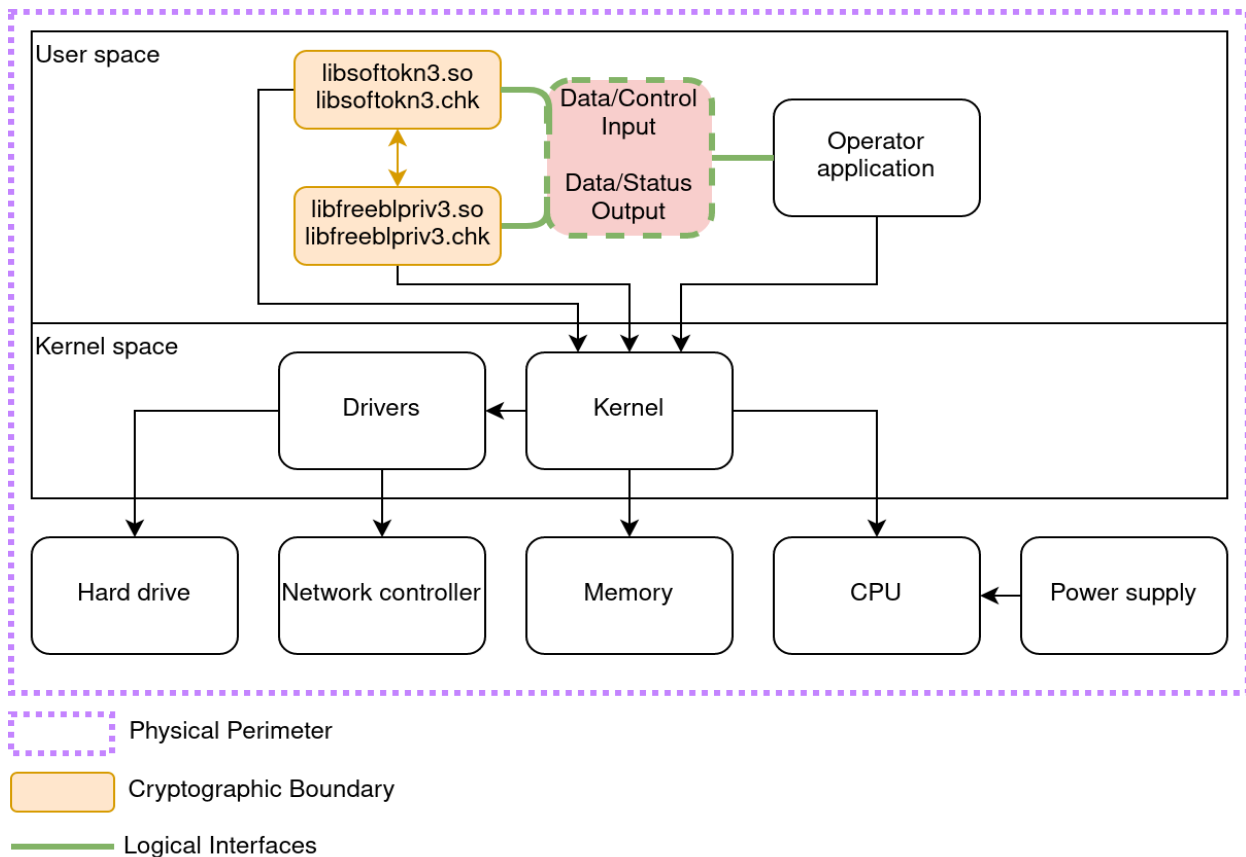


Figure 1 – Block Diagram



## 2.2 Tested and Vendor Affirmed Version and Identification

Hardware Operating Environments: N/A

Tested Module Identification – Software, Firmware, Hybrid (Executable Code Sets):

Package or File Names	Software/ Firmware Versions	Features	Hybrid Hardware Version	Integrity Test
libsoftkn3.so libfreeblpriv3.so	4.35.0-381552536e763d0c	N/A	N/A	HMAC-SHA-256

Table 2 - Tested Module Identification

Software, Firmware, Hybrid Tested Operating Environments:

Operating System	Hardware Platform	Processor(s)	PAA/PAI	Hypervisor and Host OS
Oracle Linux 9	ORACLE SERVER X9-2c	Intel® Xeon® Platinum 8358	With and without AES-NI and SHA Extensions	KVM on Oracle Linux 8
	ORACLE SERVER E4-2c	AMD EPYC 7J13	With and without AES-NI and SHA Extensions	
	ORACLE SERVER A1-2c	Ampere® Altra® Q80-30	With and without NEON and Cryptography Extensions (CE)	

Table 3 - Tested Operational Environments

Vendor Affirmed Operating Environments:

Operating Systems	Hardware Platforms	Virtual Platforms
Oracle Linux 9	Oracle X Series Servers Oracle E Series Servers Oracle A Series Servers Marvell T93 LiquidIO III (ARM v8.x) SmartNIC Pensando DSC-200-R (ARM v8.x) SmartNIC	Oracle Linux KVM VmWare ESXi

Table 4 - Vendor Affirmed Operational Environments

Note: the CMVP makes no statement as to the correct operation of the module or the security strengths of the generated SSPs when so ported if the specific operational environment is not listed on the validation certificate.

## 2.3 Excluded Components

There are no components within the cryptographic boundary excluded from the FIPS 140-3 requirements.

## 2.4 Modes of Operation

Modes List and Description:

Name	Description	Type	Status Indicator
Approved mode	Automatically entered whenever an approved service is requested	Approved	Equivalent to the indicator of the requested service
Non-approved mode	Automatically entered whenever a non-approved service is requested	Non-approved	Equivalent to the indicator of the requested service

Table 5 - Modes List and Description

After passing all pre-operational self-tests and conditional cryptographic algorithm self-tests (CASTs) executed on start-up, the module automatically transitions to the approved mode. No operator intervention is required to reach this point.





### Mode change instructions and status indicators:

The module automatically switches between the approved and non-approved modes depending on the services requested by the operator. The status indicator of the mode of operation is equivalent to the indicator of the service that was requested.

### Degraded Mode Description:

The module does not implement a degraded mode of operation.

## 2.5 Algorithms

### Approved Algorithms:

Algorithm Name	CAVP Numbers	Algorithms Capabilities	OE (Implementation)	Reference
SHA2-224	<a href="#">#A4760</a>	N/A	Oracle Linux 9 on KVM on Oracle Linux 8 on AMD EPYC™ 7001 Series AMD EPYC 7J13: Generic C Oracle Linux 9 on KVM on Oracle Linux 8 on Ampere® Altra® Q80-30: Generic C Oracle Linux 9 on KVM on Oracle Linux 8 on Intel® Xeon® Platinum 8358: Generic C	FIPS 180-4
SHA2-256	<a href="#">#A4760</a>	N/A	Oracle Linux 9 on KVM on Oracle Linux 8 on AMD EPYC™ 7001 Series AMD EPYC 7J13: Generic C Oracle Linux 9 on KVM on Oracle Linux 8 on Ampere® Altra® Q80-30: Generic C Oracle Linux 9 on KVM on Oracle Linux 8 on Intel® Xeon® Platinum 8358: Generic C	
SHA2-384	<a href="#">#A4760</a>	N/A	Oracle Linux 9 on KVM on Oracle Linux 8 on AMD EPYC™ 7001 Series AMD EPYC 7J13: Generic C Oracle Linux 9 on KVM on Oracle Linux 8 on Ampere® Altra® Q80-30: Generic C Oracle Linux 9 on KVM on Oracle Linux 8 on Intel® Xeon® Platinum 8358: Generic C	
SHA2-512	<a href="#">#A4760</a>	N/A	Oracle Linux 9 on KVM on Oracle Linux 8 on AMD EPYC™ 7001 Series AMD EPYC 7J13: Generic C Oracle Linux 9 on KVM on Oracle Linux 8 on Ampere® Altra® Q80-30: Generic C Oracle Linux 9 on KVM on Oracle Linux 8 on Intel® Xeon® Platinum 8358: Generic C	
AES-ECB	<a href="#">#A4760</a> , <a href="#">#A4767</a> , <a href="#">#A4769</a>	Encryption, Decryption using 128, 192, 256-bit keys	Oracle Linux 9 on KVM on Oracle Linux 8 on AMD EPYC™ 7001 Series AMD EPYC 7J13: Generic C, CE, AESNI Oracle Linux 9 on KVM on Oracle Linux 8 on Ampere® Altra® Q80-30: Generic C, CE, AESNI	FIPS 197 SP 800-38A SP 800-38A Addendum

Algorithm Name	CAVP Numbers	Algorithms Capabilities	OE (Implementation)	Reference
			<b>Oracle Linux 9 on KVM on Oracle Linux 8 on Intel® Xeon® Platinum 8358:</b> Generic C, CE, AESNI	
AES-CBC	<a href="#">#A4760</a> , <a href="#">#A4767</a> , <a href="#">#A4769</a>	Encryption, Decryption using 128, 192, 256-bit keys	<b>Oracle Linux 9 on KVM on Oracle Linux 8 on AMD EPYC™ 7001 Series AMD EPYC 7J13:</b> Generic C, CE, AESNI <b>Oracle Linux 9 on KVM on Oracle Linux 8 on Ampere® Altra® Q80-30:</b> Generic C, CE, AESNI <b>Oracle Linux 9 on KVM on Oracle Linux 8 on Intel® Xeon® Platinum 8358:</b> Generic C, CE, AESNI	FIPS 197 SP 800-38A SP 800-38A Addendum
AES-CBC-CS1	<a href="#">#A4765</a>	Encryption, Decryption using 128, 192, 256-bit keys	<b>Oracle Linux 9 on KVM on Oracle Linux 8 on AMD EPYC™ 7001 Series AMD EPYC 7J13:</b> Generic C CTS <b>Oracle Linux 9 on KVM on Oracle Linux 8 on Ampere® Altra® Q80-30:</b> Generic C CTS <b>Oracle Linux 9 on KVM on Oracle Linux 8 on Intel® Xeon® Platinum 8358:</b> Generic C CTS	FIPS 197 SP 800-38A Addendum
AES-CTR	<a href="#">#A4760</a> , <a href="#">#A4769</a>	Encryption, Decryption using 128, 192, 256-bit keys	<b>Oracle Linux 9 on KVM on Oracle Linux 8 on AMD EPYC™ 7001 Series AMD EPYC 7J13:</b> Generic C, AESNI <b>Oracle Linux 9 on KVM on Oracle Linux 8 on Ampere® Altra® Q80-30:</b> Generic C, AESNI <b>Oracle Linux 9 on KVM on Oracle Linux 8 on Intel® Xeon® Platinum 8358:</b> Generic C, AESNI	FIPS 197 SP 800-38A SP 800-38A Addendum
AES-CMAC	<a href="#">#A4762</a>	Message Authentication using 128, 192, 256-bit keys	<b>Oracle Linux 9 on KVM on Oracle Linux 8 on AMD EPYC™ 7001 Series AMD EPYC 7J13:</b> Generic C CMAC <b>Oracle Linux 9 on KVM on Oracle Linux 8 on Ampere® Altra® Q80-30:</b> Generic C CMAC <b>Oracle Linux 9 on KVM on Oracle Linux 8 on Intel® Xeon® Platinum 8358:</b> Generic C CMAC	FIPS 197 SP 800-38B
AES-GCM	<a href="#">#A4760</a> , <a href="#">#A4767</a> , <a href="#">#A4769</a>	Authenticated Encryption (internal IV), Authenticated Decryption (external IV) using 128, 192, 256-bit keys	<b>Oracle Linux 9 on KVM on Oracle Linux 8 on AMD EPYC™ 7001 Series AMD EPYC 7J13:</b> Generic C, CE, AESNI <b>Oracle Linux 9 on KVM on Oracle Linux 8 on Ampere® Altra® Q80-30:</b> Generic C, CE, AESNI <b>Oracle Linux 9 on KVM on Oracle Linux 8 on Intel® Xeon® Platinum 8358:</b> Generic C, CE, AESNI	FIPS 197 SP 800-38D

Algorithm Name	CAVP Numbers	Algorithms Capabilities	OE (Implementation)	Reference
		IV Generation: Internal & External IV Generation Mode: 8.2.1 and 8.2.2		
AES-KW	<a href="#">#A4761</a> , <a href="#">#A4766</a> , <a href="#">#A4768</a>	Key Wrapping, Key Unwrapping using 128, 192, 256-bit keys	<p><b>Oracle Linux 9 on KVM on Oracle Linux 8 on AMD EPYC™ 7001 Series AMD EPYC 7J13:</b> Generic C KW, AESNI KW</p> <p><b>Oracle Linux 9 on KVM on Oracle Linux 8 on Ampere® Altra® Q80-30:</b> Generic C KW, AESNI KW</p> <p><b>Oracle Linux 9 on KVM on Oracle Linux 8 on Intel® Xeon® Platinum 8358:</b> Generic C KW, AESNI KW</p>	FIPS 197 SP 800-38F
AES-KWP	<a href="#">#A4761</a> , <a href="#">#A4766</a> , <a href="#">#A4768</a>	Key Wrapping, Key Unwrapping using 128, 192, 256-bit keys	<p><b>Oracle Linux 9 on KVM on Oracle Linux 8 on AMD EPYC™ 7001 Series AMD EPYC 7J13:</b> Generic C KW, AESNI KW</p> <p><b>Oracle Linux 9 on KVM on Oracle Linux 8 on Ampere® Altra® Q80-30:</b> Generic C KW, AESNI KW</p> <p><b>Oracle Linux 9 on KVM on Oracle Linux 8 on Intel® Xeon® Platinum 8358:</b> Generic C KW, AESNI KW</p>	FIPS 197 SP 800-38F
HMAC	<a href="#">#A4760</a>	SHA-224, SHA-256, SHA-384, SHA-512 112-524288-bit keys	<p><b>Oracle Linux 9 on KVM on Oracle Linux 8 on AMD EPYC™ 7001 Series AMD EPYC 7J13:</b> Generic C</p> <p><b>Oracle Linux 9 on KVM on Oracle Linux 8 on Ampere® Altra® Q80-30:</b> Generic C</p> <p><b>Oracle Linux 9 on KVM on Oracle Linux 8 on Intel® Xeon® Platinum 8358:</b> Generic C</p>	FIPS 198-1 FIPS 180-4
KBKDF	<a href="#">#A4763</a>	Modes: counter, feedback, double pipeline CMAC and HMAC SHA-1, SHA-224, SHA-256, SHA-384, SHA-512	<p><b>Oracle Linux 9 on KVM on Oracle Linux 8 on AMD EPYC™ 7001 Series AMD EPYC 7J13:</b> Generic C KBKDF</p> <p><b>Oracle Linux 9 on KVM on Oracle Linux 8 on Ampere® Altra® Q80-30:</b> Generic C KBKDF</p> <p><b>Oracle Linux 9 on KVM on Oracle Linux 8 on Intel® Xeon® Platinum 8358:</b> Generic C KBKDF</p>	SP 800-108r1
HKDF	<a href="#">#A4759</a>	Key Derivation with HMAC SHA-224, SHA-256, SHA-384, SHA-512	<p><b>Oracle Linux 9 on KVM on Oracle Linux 8 on AMD EPYC™ 7001 Series AMD EPYC 7J13:</b> TLS v1.3</p> <p><b>Oracle Linux 9 on KVM on Oracle Linux 8 on Ampere® Altra® Q80-30:</b> TLS v1.3</p> <p><b>Oracle Linux 9 on KVM on Oracle Linux 8 on Intel® Xeon® Platinum 8358:</b> TLS v1.3</p>	SP 800-56Cr1

Algorithm Name	CAVP Numbers	Algorithms Capabilities	OE (Implementation)	Reference
TLS 1.0/1.1 KDF (CVL)	<a href="#">#A4760</a>	Key Derivation with SHA1	<p>Oracle Linux 9 on KVM on Oracle Linux 8 on AMD EPYC™ 7001 Series AMD EPYC 7J13: Generic C</p> <p>Oracle Linux 9 on KVM on Oracle Linux 8 on Ampere® Altra® Q80-30: Generic C</p> <p>Oracle Linux 9 on KVM on Oracle Linux 8 on Intel® Xeon® Platinum 8358: Generic C</p>	SP 800-135r1
TLS 1.2 KDF (CVL RFC 7627)	<a href="#">#A4760</a>	Hashes: SHA-256, SHA-384, SHA-512	<p>Oracle Linux 9 on KVM on Oracle Linux 8 on AMD EPYC™ 7001 Series AMD EPYC 7J13: Generic C</p> <p>Oracle Linux 9 on KVM on Oracle Linux 8 on Ampere® Altra® Q80-30: Generic C</p> <p>Oracle Linux 9 on KVM on Oracle Linux 8 on Intel® Xeon® Platinum 8358: Generic C</p>	SP 800-135r1
IKEv2 KDF (CVL)	<a href="#">#A4764</a>	Hashes: SHA-1, SHA-256, SHA-384, SHA-512	<p>Oracle Linux 9 on KVM on Oracle Linux 8 on AMD EPYC™ 7001 Series AMD EPYC 7J13: IKE KDF</p> <p>Oracle Linux 9 on KVM on Oracle Linux 8 on Ampere® Altra® Q80-30: IKE KDF</p> <p>Oracle Linux 9 on KVM on Oracle Linux 8 on Intel® Xeon® Platinum 8358: IKE KDF</p>	SP 800-135r1
PBKDF2	<a href="#">#A4760</a>	<p>Option 1a</p> <p>Password length: 7-128 characters</p> <p>Salt length: 128-4096 bytes</p> <p>Iteration count: 1000-10000</p> <p>Hashes: SHA-1, SHA-224, SHA-256, SHA-384, SHA-512</p>	<p>Oracle Linux 9 on KVM on Oracle Linux 8 on AMD EPYC™ 7001 Series AMD EPYC 7J13: Generic C</p> <p>Oracle Linux 9 on KVM on Oracle Linux 8 on Ampere® Altra® Q80-30: Generic C</p> <p>Oracle Linux 9 on KVM on Oracle Linux 8 on Intel® Xeon® Platinum 8358: Generic C</p>	SP 800-132
Hash_DRBG	<a href="#">#A4760</a>	Hashes: SHA-256 With/without prediction resistance	<p>Oracle Linux 9 on KVM on Oracle Linux 8 on AMD EPYC™ 7001 Series AMD EPYC 7J13: Generic C</p> <p>Oracle Linux 9 on KVM on Oracle Linux 8 on Ampere® Altra® Q80-30: Generic C</p> <p>Oracle Linux 9 on KVM on Oracle Linux 8 on Intel® Xeon® Platinum 8358: Generic C</p>	SP 800-90Ar1
KAS-FFC-SSC	<a href="#">#A4760</a>	<p>Scheme: dhEphem</p> <p>Roles: initiator, responder</p> <p>Groups: MODP-2048, MODP-3072, MODP-4096, MODP-6144, MODP-8192, ffdhe2048, ffdhe3072,</p>	<p>Oracle Linux 9 on KVM on Oracle Linux 8 on AMD EPYC™ 7001 Series AMD EPYC 7J13: Generic C</p> <p>Oracle Linux 9 on KVM on Oracle Linux 8 on Ampere® Altra® Q80-30: Generic C</p> <p>Oracle Linux 9 on KVM on Oracle Linux 8 on Intel® Xeon® Platinum 8358: Generic C</p>	SP 800-56Ar3

Algorithm Name	CAVP Numbers	Algorithms Capabilities	OE (Implementation)	Reference
		ffdhe4096, ffdhe6144, ffdhe8192		
KAS-ECC-SSC	<a href="#">#A4760</a>	Scheme: Ephemeral Unified Model Roles: initiator, responder Curves: P-256, P-384, P-521	<b>Oracle Linux 9 on KVM on Oracle Linux 8 on AMD EPYC™ 7001 Series AMD EPYC 7J13: Generic C</b> <b>Oracle Linux 9 on KVM on Oracle Linux 8 on Ampere® Altra® Q80-30: Generic C</b> <b>Oracle Linux 9 on KVM on Oracle Linux 8 on Intel® Xeon® Platinum 8358: Generic C</b>	SP 800-56Ar3
DSA <sup>1</sup>	<a href="#">#A4760</a>	Signature Verification Hashes: SHA-224, SHA-256, SHA-384, SHA-512 Keys: (L = 1024, N = 160); (L = 2048, N = 224); (L = 2048, N = 256); (L = 3072, N = 256)	<b>Oracle Linux 9 on KVM on Oracle Linux 8 on AMD EPYC™ 7001 Series AMD EPYC 7J13: Generic C</b> <b>Oracle Linux 9 on KVM on Oracle Linux 8 on Ampere® Altra® Q80-30: Generic C</b> <b>Oracle Linux 9 on KVM on Oracle Linux 8 on Intel® Xeon® Platinum 8358: Generic C</b>	FIPS 186-4
RSA	<a href="#">#A4760</a>	Signature Generation & Verification Padding: PKCS#1 v1.5 and PSS Hashes: SHA-224, SHA-256, SHA-384, SHA-512 Modulus: 2048-4096 bits	<b>Oracle Linux 9 on KVM on Oracle Linux 8 on AMD EPYC™ 7001 Series AMD EPYC 7J13: Generic C</b> <b>Oracle Linux 9 on KVM on Oracle Linux 8 on Ampere® Altra® Q80-30: Generic C</b> <b>Oracle Linux 9 on KVM on Oracle Linux 8 on Intel® Xeon® Platinum 8358: Generic C</b>	FIPS 186-4
RSA	<a href="#">#A4760</a>	Signature Verification Padding: PKCS#1 v1.5 and PSS Hashes: SHA-224, SHA-256, SHA-384, SHA-512 Modulus: 1024, 1280, 1536, 1792 bits	<b>Oracle Linux 9 on KVM on Oracle Linux 8 on AMD EPYC™ 7001 Series AMD EPYC 7J13: Generic C</b> <b>Oracle Linux 9 on KVM on Oracle Linux 8 on Ampere® Altra® Q80-30: Generic C</b> <b>Oracle Linux 9 on KVM on Oracle Linux 8 on Intel® Xeon® Platinum 8358: Generic C</b>	FIPS 186-2 FIPS 186-4
ECDSA	<a href="#">#A4760</a>	Signature Generation & Verification Hashes: SHA-224, SHA-256, SHA-384, SHA-512 Curves: P-256, P-384, P-521	<b>Oracle Linux 9 on KVM on Oracle Linux 8 on AMD EPYC™ 7001 Series AMD EPYC 7J13: Generic C</b> <b>Oracle Linux 9 on KVM on Oracle Linux 8 on Ampere® Altra® Q80-30: Generic C</b> <b>Oracle Linux 9 on KVM on Oracle Linux 8 on Intel® Xeon® Platinum 8358: Generic C</b>	FIPS 186-4
Safe Primes	<a href="#">#A4760</a>	Key Pair Generation	<b>Oracle Linux 9 on KVM on Oracle Linux 8 on AMD EPYC™ 7001 Series AMD EPYC 7J13: Generic C</b>	SP 800-56Ar3

<sup>1</sup> The following are allowed for legacy use only; DSA signature verification with L=1024 and N=224.

Algorithm Name	CAVP Numbers	Algorithms Capabilities	OE (Implementation)	Reference
		Mode: Testing Candidates (Appendix 5.6.1.1.4) Groups: MODP-2048, MODP-3072, MODP-4096, MODP-6144, MODP-8192, ffdhe2048, ffdhe3072, ffdhe4096, ffdhe6144, ffdhe8192	<b>Oracle Linux 9 on KVM on Oracle Linux 8 on Ampere® Altra® Q80-30:</b> Generic C <b>Oracle Linux 9 on KVM on Oracle Linux 8 on Intel® Xeon® Platinum 8358:</b> Generic C	
RSA	<a href="#">#A4760</a>	Key Pair Generation Mode: Probable Primes (Appendix B.3.3) Modulus: 2048-4096 bits	<b>Oracle Linux 9 on KVM on Oracle Linux 8 on AMD EPYC™ 7001 Series AMD EPYC 7J13:</b> Generic C <b>Oracle Linux 9 on KVM on Oracle Linux 8 on Ampere® Altra® Q80-30:</b> Generic C <b>Oracle Linux 9 on KVM on Oracle Linux 8 on Intel® Xeon® Platinum 8358:</b> Generic C	FIPS 186-4
ECDSA	<a href="#">#A4760</a>	Key Pair Generation Mode: Extra Random Bits (Appendix B.4.1) Curves: P-256, P-384, P-521	<b>Oracle Linux 9 on KVM on Oracle Linux 8 on AMD EPYC™ 7001 Series AMD EPYC 7J13:</b> Generic C <b>Oracle Linux 9 on KVM on Oracle Linux 8 on Ampere® Altra® Q80-30:</b> Generic C <b>Oracle Linux 9 on KVM on Oracle Linux 8 on Intel® Xeon® Platinum 8358:</b> Generic C	FIPS 186-4

Table 6 - Approved Algorithms

**Vendor Affirmed Algorithms:**

Algorithm Name	Algorithm Capabilities	OE (Implementation)	References
Cryptographic Key Generation (CKG)	Symmetric Key Generation using SP 800-90Ar1 Hash_DRBG : 112-256 bits of key strength Safe Primes: MODP-2048, MODP-3072, MODP-4096, MODP-6144, MODP-8192, ffdhe2048, ffdhe3072, ffdhe4096, ffdhe6144, ffdhe8192 groups (112-200 bits of key strength) RSA: 2048, 3072, 4096-bit keys (112, 128, 150 bits of key strength) ECDSA: P-256, P-384, P-521 elliptic curves (128-256 bits of key strength)	Same as in Table 6	SP 800-133Rev2 section 4 example 1 and section 6.1

Table 7 - Vendor Affirmed Algorithms

**Non-Approved, Allowed Algorithms:**

The module does not implement non-approved algorithms allowed in the approved mode of operation.

**Non-Approved, Allowed Algorithms with No Security Claimed:**

Algorithm Name	Caveat	Use/Function
MD5	Only allowed as the PRF in TLSv1.0 and v1.1 per IG 2.4.A	Message digest used in TLS 1.0/1.1 KDF only

**Table 8 - Non-Approved, Allowed Algorithms with No Security Claimed**

**Non-Approved, Not Allowed Algorithms:**

Name	Use and Function
MD2, MD5, SHA-1	Message Digest
RC2, RC4, DES, Triple-DES, CDMF, Camellia, SEED, ChaCha20 (-Poly1305)	Encryption Decryption
AES GCM (external IV)	Encryption
CBC-MAC, AES XCBC-MAC, AES XCBC-MAC-96	Message Authentication
HMAC-SHA-1, HMAC (MD2, MD5; < 112-bit keys)	
HMAC/SSLv3 MAC (constant-time implementation)	
RSA OAEP	Key Encapsulation/Decapsulation
SEED, ANS X9.63 KDF, SSL 3 PRF, 40v1 PRF	Key Derivation
KBKDF, HKDF, TLS 1.0/1.1 KDF, TLS 1.2 KDF, IKEv2 PRF (< 112-bit keys)	
KBKDF (MD2, MD5)	
TLS 1.2 KDF (without extended master secret)	
IKEv1 KDF	
IKEv2 PRF (MD2, MD5)	
PKCS#5 PBE, PKCS#12 PBE	Password-Based Key Derivation
PBKDF2 (short password; short salt; insufficient iterations; < 112-bit keys)	
J-PAKE	Shared Secret Computation
KAS-FFC-SSC (FIPS 186-type groups)	
KAS-ECC-SSC (P-192)	
DSA	Parameter Generation Parameter Verification Key Pair Generation Signature Generation
RSA with SHA-1, RSA (primitive; PKCS#1 v1.5 or PSS with MD2, MD5)	Signature Generation Signature Verification
ECDSA (P-192)	
RSA	Asymmetric Encryption Asymmetric Decryption
DH (FIPS 186-type groups)	Key Pair Generation
RSA (< 2048 bits)	
ECDSA (P-192)	
Symmetric key generation (< 112 bits)	Secret Key Generation

**Table 9 - Non-Approved, Not Allowed Algorithms**

## 2.6 Security Function Implementations

Name	Type	Description	SF Capabilities	Algorithms
KAS-ECC-SSC [SP 800-56ARev3]	KAS	Shared Secret Computation	Ephemeral Unified scheme Curves: P-256, P-384, P-521 elliptic curves with 128-256 bits of key strength Compliant with IG D.F scenario 2(1)	KAS-ECC-SSC: <a href="#">#A4760</a>
KAS-FFC-SSC [SP 800-56ARev3]			Ephemeral Unified scheme Keys: 2048, 3072, 4096, 6144, 8192-bit keys with 112-200 bits of key strength	KAS-FFC-SSC: <a href="#">#A4760</a>

			Compliant with IG D.F scenario 2(1)	
AES-GCM [SP 800-38D]	KTS	Key Wrapping (internal IV), Key Unwrapping (external IV)	128, 192, 256 bits with 128-256 bits of key strength IV Generation: Internal & External IV Generation Mode: 8.2.1 and 8.2.2 Compliant with IG D.G	AES-GCM: <a href="#">#A4760</a> , <a href="#">#A4767</a> , <a href="#">#A4769</a>
AES-KW, AES-KWP [SP 800-38F]		Key Wrapping, Key Unwrapping	128, 192, 256 bits with 128-256 bits of key strength Compliant with IG D.G	AES-KW, AES-KWP: <a href="#">#A4761</a> , <a href="#">#A4766</a> , <a href="#">#A4768</a>

**Table 10 - Security Function Implementations**

## 2.7 Algorithm Specific Information

### 2.7.1 AES GCM IV

The Crypto Officer shall consider the following requirements and restrictions when using the module.

For TLS 1.2, the module offers the AES GCM implementation and uses the context of Scenario 1 of FIPS 140-3 IG C.H. NSS is compliant with SP 800-52r2 Section 3.3.1 and the mechanism for IV generation is compliant with RFC 5288 and 8446.

The module does not implement the TLS protocol. The module’s implementation of AES GCM is used together with an application that runs outside the module’s cryptographic boundary. The design of the TLS protocol implicitly ensures that the counter (the nonce\_explicit part of the IV) does not exhaust the maximum number of possible values for a given session key.

In the event the module’s power is lost and restored, the consuming application must ensure that a new key for use with the AES GCM key encryption or decryption under this scenario shall be established.

Alternatively, the Crypto Officer can use the module’s API to perform AES GCM encryption using internal IV generation compliant with Scenario 2 of FIPS 140-3 IG C.H. These IVs are always 96 bits and generated using the approved DRBG internal to the module’s boundary.

Additionally, the module offers an internal deterministic IV generation mode compliant with Scenario 3 of FIPS 140-3 IG C.H. The size of the fixed (name) field used by this IV generation mode is at least 32 bits. The module then internally generates a 32 bit or longer deterministic non-repetitive counter. The module explicitly ensures that this counter is monotonically increasing at each invocation of the AES-GCM for the same encryption key, and that this counter does not exhaust all its possible values. The generated GCM IV is at least 96 bits in length.

Finally, for TLS 1.3, the AES GCM implementation uses the context of Scenario 5 of FIPS 140-3 IG C.H. The protocol that provides this compliance is TLS 1.3, defined in RFC8446 of August 2018, using the cipher-suites that explicitly select AES GCM as the encryption/decryption cipher (Appendix B.4 of RFC8446). The module supports acceptable AES GCM cipher suites from Section 3.3.1 of SP800-52r2. TLS 1.3 employs separate 64-bit sequence numbers, one for protocol records that are received, and one for protocol records that are sent to a peer. These sequence numbers are set at zero at the beginning of a TLS 1.3 connection and each time when the AES-GCM key is changed. After reading or writing a record, the respective sequence number is incremented by one. The protocol specification determines that the sequence number should not wrap, and if this condition is observed, then the protocol implementation must either trigger a re-key of the session (i.e., a new key for AES-GCM), or terminate the connection.

### 2.7.2 Key Derivation using SP 800-132 PBKDF2

The module provides password-based key derivation (PBKDF2), compliant with SP 800-132. The module supports option 1a from Section 5.4 of SP 800-132, in which the Master Key (MK) or a segment of it is used directly as the Data Protection Key (DPK). In accordance with SP 800-132 and FIPS 140-3 IG D.N, the following requirements shall be met:

- Derived keys shall only be used in storage applications. The MK shall not be used for other purposes. The length of the MK or DPK shall be of 112 bits or more.





- Passwords or passphrases, used as an input for the PBKDF2, shall not be used as cryptographic keys.
- The length of the password or passphrase shall be at least 7 characters, and shall consist of lowercase, uppercase, and numeric characters. In a worst-case scenario where the user selects a password consisting of only digits, the guessing probability is estimated to be  $10^{-7}$ . Combined with the minimum iteration count as described below, this provides an acceptable trade-off between user experience and security against brute-force attacks.
- A portion of the salt, with a length of at least 128 bits, shall be generated randomly using the SP 800-90Ar1 DRBG provided by the module.
- The iteration count shall be selected as large as possible, as long as the time required to generate the key using the entered password is acceptable for the users. The minimum value is 1000.

### 2.7.3 SP 800-56Ar3 Assurances

The module offers DH and ECDH shared secret computation services compliant to the SP 800-56Ar3 and meeting IG D.F scenario 2 path (1). To meet the required assurances listed in section 5.6 of SP 800-56Ar3, the module shall be used together with an application that implements the “TLS protocol” and the following steps shall be performed.

- The entity using the module, must use the module's "Key pair generation" service for generating DH/ECDH ephemeral keys. This meets the assurances required by key pair owner defined in the section 5.6.2.1 of SP 800-56Ar3.
- As part of the module's Shared Secret Computation (SSC) service, the module internally performs the public key validation on the peer's public key passed in as input to the SSC function. This meets the public key validity assurance required by the sections 5.6.2.2.1/5.6.2.2.2 of SP 800-56Ar3.
- The module does not support static keys therefore the "assurance of peer's possession of private key" is not applicable.

## 2.8 RNG and Entropy

### Entropy Information:

Name	Type	Operational Environment	Sample Size	Entropy Per Sample	Conditioning Component
Oracle Userspace CPU Time Jitter RNG Entropy Source (Cert. # <a href="#">E99</a> )	Non-physical	See Table 3	256 bits	256 bits	HMAC-SHA2-512-DRBG (CAVP cert <a href="#">A4162</a> )

Table 11 – Entropy

### RNG Information:

The module implements a Deterministic Random Bit Generator (Hash\_DRBG) implementation compliant with SP 800-90Ar1. This DRBG is used internally by the module (e.g., to generate symmetric keys, seeds for asymmetric key pairs, and random numbers for security functions). It can also be accessed using the specified API functions. The module DRBG implemented is a SHA-256 Hash\_DRBG, seeded by the entropy source specified in Table 11.

## 2.9 Key Generation

Name	Type	Properties
Direct Generation of Symmetric Keys	CKG	Key type: Symmetric key Security strength: 112-256 bits Method: Direct Generation Compliant to SP 800-133r2, Section 6.1
Safe Primes Key Pair Generation		Key type: DH key pair Groups: MODP-2048, MODP-3072, MODP-4096, MODP-6144, MODP-8192, ffdhe2048, ffdhe3072, ffdhe4096, ffdhe6144, ffdhe8192 Security strength: 112-200 bits Method: SP 800-56Ar3 (safe primes) Section 5.6.1.1.4 Testing Candidates Compliant to SP 800-133r2, Section 5.2
ECDSA Key Pair Generation		Key type: EC key pair Curves: P-256, P-384, P-521

		Security strength: 128-256 bits Method: FIPS 186-4 Appendix B.4.1 Extra Random Bits Compliant to SP 800-133r2, Section 4
RSA Key Pair Generation		Key type: RSA key pair Modulus: 2048-4096 bits Security strength: 112-150 bits Method: FIPS 186-4 Appendix B.3.3 Probable Primes Compliant to SP 800-133r2, Section 4
KBKDF	Key Derivation	Key type: Symmetric key Security strength: 112-256 bits Method: Counter, feedback and double pipeline mode, using CMAC and HMAC SHA-1, SHA-224, SHA-256, SHA-384, SHA-512
HKDF		Key type: Symmetric key Security strength: 112-256 bits Method: (HMAC) SHA-224, SHA-256, SHA-384, SHA-512 Compliant to SP 800-56Cr1
TLS 1.0/1.1 KDF		Key type: Symmetric key Security strength: 112-256 bits Method: SHA1 Compliant to SP 800-135r1
TLS 1.2 KDF (RFC 7627)		Key type: Symmetric key Security strength: 112-256 bits Method: SHA-256, SHA-384, SHA-512 Compliant to SP 800-135r1
IKEv2 KDF		Key type: Symmetric key Security strength: 112-256 bits Method: SHA-1, SHA-256, SHA-384, SHA-512 Compliant to SP 800-135r1
PBKDF2		Key type: Symmetric key Security strength: 112-256 bits Method: Option 1a with SHA-1, SHA-224, SHA-256, SHA-384, SHA-512 Compliant to option 1a of SP 800-132

**Table 12 - Key Generation**

## 2.10 Key Establishment

Name	Type	Properties
KAS-FFC-SSC [SP800-56Arev3]	KAS (Shared Secret Computation)	Groups: ffdhe2048, ffdhe3072, ffdhe4096, ffdhe6144, ffdhe8192, MODP-2048, MODP-3072, MODP-4096, MODP-6144, MODP-8192 Security strength: 112-200 bits Compliant with: Scenario 2 (1) of FIPS 140-3 IG D.F: Shared Secret Computation
KAS-ECC-SSC [SP800-56Arev3]		Curves: P-256, P-384, P-521 Security strength: 128-256 bits Compliant with: Scenario 2 (1) of FIPS 140-3 IG D.F: Shared Secret Computation
AES GCM [SP 800-38D]	KTS-Wrap (Key Wrapping)	Keys: 128, 192, or 256 bits IV generated internally Security strength: 128, 192, or 256 bits Compliant with IG D.G
	KTS-Wrap (Key Unwrapping)	Keys: 128, 192, or 256 bits IV provided externally Security strength: 128, 192, or 256 bits Compliant with IG D.G
AES KW, AES KWP [SP 800-38F]	KTS-Wrap (Key Wrapping, Key Unwrapping)	Keys: 128, 192, or 256 bits Security strength: 128, 192, or 256 bits Compliant with IG D.G

**Table 13 - Key Establishment**

## 2.11 Industry Protocols

For DH, the module supports the use of the safe primes defined in RFC 3526 (IKE) and RFC 7919 (TLS) as listed in Table 13. Note that the module only implements domain parameter generation, key pair generation and verification, and shared secret computation.

TLS 1.0/1.1 KDF, TLS 1.2 KDF (RFC 7627), IKEv2 implementations shall only be used to generate secret keys in the context of the TLS 1.0/1.1, TLS 1.2, IKE protocols respectively. No parts of this protocol, other than the approved cryptographic algorithms and the KDFs, have been tested by the CAVP and CMVP.

### 3 Cryptographic Module Interfaces

#### 3.1 Description

Physical Port	Logical Interface	Data That Passes Over the Port/Interface
As a software-only module, the module does not have physical ports. Physical Ports are interpreted to be the physical ports of the hardware platform on which it runs.	Data Input	API data input parameters
	Data Output	API output parameters
	Control Input	API function calls, API control input parameters
	Status Output	API return code, error queue

**Table 14 - Ports and Interfaces**

The logical interfaces are the APIs through which the applications request services. These logical interfaces are logically separated from each other by the API design.

#### 3.2 Trusted Channel Specification

The module does not implement a trusted channel.

#### 3.3 Control Interface Not Inhibited

The module does not implement a control output interface.

## 4 Roles, Services, and Authentication

### 4.1 Authentication Methods

The module does not implement authentication.

### 4.2 Roles

Name	Type	Operator Type	Authentication Methods
Crypto Officer	Role	CO	N/A (Implicitly assumed)

Table 15 – Roles

The module supports the Crypto Officer role only. This sole role is implicitly and always assumed by the operator of the module. No support is provided for multiple concurrent operators.

### 4.3 Approved Services

Name	Description	Indicator	Inputs	Outputs	Security Functions	Roles	SSP Access
Message Digest	Compute a message digest	CKS_NSS_FI PS_OK	Message	Digest value	SHA2-224, SHA2-256, SHA2-384, SHA2-512	CO	N/A
Encryption	Encrypt a plaintext		AES Key, plaintext	Ciphertext	AES-ECB, AES-CBC, AES-CBC-CS1, AES-CTR, AES-GCM (internal IV)		AES Key: W, E
Decryption	Decrypt a ciphertext		AES Key, ciphertext	Plaintext	AES-ECB, AES-CBC, AES-CBC-CS1, AES-CTR, AES-GCM (external IV)		
Key Wrapping	Wrap a key		AES Key, Key To Be Wrapped	Wrapped key	AES-GCM, AES-KW, AES-KWP		AES Key: W, E Wrapped Key: R Key To Be Wrapped: W, E
Key Unwrapping	Unwrap a key		AES Key, Key To Be Unwrapped	Unwrapped key			AES Key: W, E Unwrapped Key: R Key To Be Unwrapped: W, E
Message Authentication	Compute a MAC tag		AES Key, message	MAC tag	AES-CMAC		AES Key: W, E
			HMAC Key, message		HMAC-SHA-224, HMAC-SHA-256, HMAC-SHA-384, HMAC-SHA-512		HMAC Key: W, E
Message Authentication Verification	Verify a MAC tag	AES Key, message, MAC tag	Pass/fail	AES-CMAC		AES Key: W, E	
		HMAC Key, message, MAC tag		HMAC-SHA-224, HMAC-SHA-256, HMAC-SHA-384, HMAC-SHA-512		HMAC Key: W, E	
Shared Secret	Compute a	DH Private Key,	Shared	KAS-FFC-SSC		DH Private Key: W, E;	

Name	Description	Indicator	Inputs	Outputs	Security Functions	Roles	SSP Access
Computation	shared secret		DH Public Key	Secret			DH Public Key: W, E; Shared Secret: G, R
			EC Private Key, EC Public Key		KAS-ECC-SSC		EC Private Key: W, E; EC Public Key: W, E; Shared Secret: G, R
Signature Generation	Generate a digital signature		Message, private key	Signature	RSA PKCS#1 v1.5 and PSS with SHA-224, SHA-256, SHA-384, SHA-512, ECDSA with SHA-224, SHA-256, SHA-384, SHA-512		RSA Private Key: W, E; ECDSA Private Key: W, E
Signature Verification	Verify a digital signature		Message, public key, signature	Pass/fail	RSA PKCS#1 v1.5 and PSS with SHA-224, SHA-256, SHA-384, SHA-512, ECDSA with SHA-224, SHA-256, SHA-384, SHA-512 DSA with SHA-224, SHA-256, SHA-384, SHA-512		RSA Public Key: W, E; ECDSA Public Key: W, E; DSA Public Key: W, E
Key Pair Generation	Generate a key pair		DH Group	DH Private Key, DH Public Key	Safe Primes		DH Private Key: G, R; DH Public Key: G, R; Intermediate Key Generation Value: G
			Curve	EC Private Key, EC Public Key	ECDSA		EC Private Key: G, R; EC Public Key: G, R; Intermediate Key Generation Value: G
			Modulus	RSA Private Key, RSA Public Key	RSA		RSA Private Key: G, R; RSA Public Key: G, R; Intermediate Key Generation Value: G
Secret Key Generation	Generate a secret key		Key size	Symmetric Key	CKG (Symmetric Key Generation)		Symmetric Key (AES Key, HMAC Key Key-Derivation Key): G
Key Derivation	Derive a key		Shared Secret	Derived Key	HKDF, TLS 1.0/1.1 KDF, TLS 1.2 KDF, IKEv2 KDF		Shared Secret: W, E; Derived Key: G, R
Key-Based Key Derivation	Derive a key from a key		Key-Derivation Key		KBKDF		Key-Derivation Key: W, E; Derived Key: G, R
Password-Based Key Derivation	Derive a key from a password		Password		PBKDF2		Password: W, E; Derived Key: G, R
Random Number Generation	Generate random bytes	CKR_OK	Output length	Random bytes	Hash_DRBG,		Entropy Input: W, E; DRBG Seed: E, G; Internal State (V, C): W, E, G
Show Version	Return the	None	N/A	Module	N/A		N/A

Name	Description	Indicator	Inputs	Outputs	Security Functions	Roles	SSP Access
	module name and version information			name and version			
Show Status	Return the module status	None	N/A	Module status	N/A		N/A
Self-Test	Perform the CASTs and integrity tests	None	N/A	Pass/fail	SHA-224, SHA-256, SHA-384, SHA-512 AES-GCM, AES-ECB, AES-CBC, AES-CMAC, HMAC, KBKDF, HKDF, TLS 1.0/1.1 KDF, TLS 1.2 KDF, IKEv2 KDF, PBKDF2, Hash_DRBG, KAS-FFC-SSC, KAS-ECC-SSC, RSA, ECDSA, DSA  See Table 24 for specifics		N/A
Zeroization	Zeroize all SSPs	None	Any SSP	N/A	N/A		All SSPs: Z

**Table 16 – Approved Services**

Table 16 lists the approved services. The following convention is used to specify access rights to SSPs:

- **Generate (G):** The module generates or derives the SSP.
- **Read (R):** The SSP is read from the module (e.g. the SSP is output).
- **Write (W):** The SSP is updated, imported, or written to the module.
- **Execute (E):** The module uses the SSP in performing a cryptographic operation.
- **Zeroize (Z):** The module zeroizes the SSP.

To interact with the module, a calling application must use the FIPS token APIs provided by Softoken. The FIPS token API layer can be used to retrieve the approved service indicator for the module. This indicator consists of four independent service indicators.

1. The session indicator, which must be used for all cryptographic services except the key derivation service. It can be accessed by invoking the NSC\_NSSGetFIPSStatus function with the CKT\_NSS\_SESSION\_LAST\_CHECK parameter. If the output parameter is set to CKS\_NSS\_FIPS\_OK (1), the service was approved.
2. The object indicator, which must be used for the key derivation service. It can be accessed by invoking the NSC\_NSSGetFIPSStatus function with the CKT\_NSS\_OBJECT\_CHECK parameter and the output derived key. If the output parameter is set to CKS\_NSS\_FIPS\_OK (1), the service was approved.
3. The DRBG service indicator, which must be used for the DRBG service. It can be accessed by invoking the C\_SeedRandom or C\_GenerateRandom functions. If any of these functions returns CKR\_OK, the service was approved.

## 4.4 Non-Approved Services

Name	Description	Security Functions	Role
Message Digest	Compute a message digest	MD2, MD5, SHA-1	CO
Encryption	Encrypt a plaintext	RC2, RC4, DES, Triple-DES, CDMF, Camellia, SEED, ChaCha20(-Poly1305), AES GCM (external IV)	
Decryption	Decrypt a ciphertext	RC2, RC4, DES, Triple-DES, CDMF, Camellia, SEED, ChaCha20(-Poly1305)	
Message Authentication	Compute a MAC tag	CBC-MAC, AES XCBC-MAC, AES XCBC-MAC-96; HMAC-SHA-1, HMAC (MD2, MD5; < 112-bit keys); HMAC/SSLv3 MAC (constant-time implementation)	
Key Encapsulation/Decapsulation	Encapsulate/Decapsulate a key	RSA OAEP	
Key Derivation	Derive a key	SEED, ANS X9.63 KDF, SSL 3 PRF, IKEv1 KDF, KBKDF, HKDF, TLS 1.0/1.1 KDF, TLS 1.2 KDF, IKEv2 KDF (< 112-bit keys), KBKDF (MD2, MD5), TLS 1.2 KDF (without extended master secret), IKEv2 KDF (MD2, MD5)	
Password-Based Key Derivation	Derive a key from a password	PKCS#5 PBE, PKCS#12 PBE, PBKDF2 (short password; short salt; insufficient iterations; < 112-bit keys)	
Shared Secret Computation	Compute a shared secret	J-PAKE, KAS-FFC-SSC (FIPS 186-type groups), KAS-ECC-SSC (P-192)	
Signature Generation	Generate a signature	DSA, RSA with SHA-1, RSA (primitive; PKCS#1 v1.5 or PSS with MD2, MD5), ECDSA (P-192)	
Signature Verification	Verify a signature	RSA with SHA-1, RSA (primitive; PKCS#1 v1.5 or PSS with MD2, MD5), ECDSA (P-192)	
Asymmetric Encryption	Encrypt a plaintext	RSA	
Asymmetric Decryption	Decrypt a plaintext		
Parameter Generation	Generate domain parameters	DSA	
Parameter Verification	Verify domain parameters		
Key Pair Generation	Generate a key pair	DH (FIPS 186-type groups), RSA (< 2048 bits), DSA, ECDSA (P-192)	
Secret Key Generation	Generate a secret key	CKG (< 112 bits)	

Table 17 - Non-Approved Services

## 4.5 External Software/Firmware Loaded

The module does not load external software or firmware.

## 4.6 Bypass Actions and Status

The module does not implement a bypass capability.

## 4.7 Cryptographic Output Actions and Status

The module does not implement a self-initiated cryptographic output capability.





## 5 Software/Firmware Security

### 5.1 Integrity Techniques

The integrity of the module is verified by comparing a HMAC-SHA-256 value calculated at run time with the HMAC-SHA-256 value embedded in the module that was computed at build time. If the integrity test fails, the module enters the Power-On Error state.

### 5.2 Initiate on Demand

Integrity tests are performed as part of the pre-operational self-tests, which are executed when the module is initialized. The integrity test may be invoked on-demand by unloading and subsequently re-initializing the module.

## 6 Operational Environment

### 6.1 Operational Environment Type and Requirements

**Type of Operating Environment:** modifiable: the module executes on a general-purpose operating system (Oracle Linux 9), which allows modification, loading, and execution of software that is not part of the validated module.

**How Requirements are Satisfied:** The operating system provides process isolation and memory protection mechanisms that ensure appropriate separation for memory access among the processes on the system. Each process has control over its own data and uncontrolled access to the data of other processes is prevented.

### 6.2 Configurable Settings and Restrictions

The module shall be installed as stated in Section 11.1.

There are no concurrent operators.

The module does not have the capability of loading software or firmware from an external source.

Instrumentation tools like the ptrace system call, gdb and strace, userspace live patching, as well as other tracing mechanisms offered by the Linux environment such as ftrace or systemtap, shall not be used in the operational environment. The use of any of these tools implies that the cryptographic module is running in a non-validated operational environment.



## 7 Physical Security

The module is comprised of software only and therefore this section is not applicable.



## 8 Non-Invasive Security

This module does not implement any non-invasive security mechanism and therefore this section is not applicable.

## 9 Sensitive Security Parameters Management

### 9.1 Storage Areas

Storage Area Name	Description	Persistence Type
RAM	Temporary storage for SSPs used by the module as part of service execution. The module does not perform persistent storage of SSPs.	Dynamic

Table 18 – Storage Areas

### 9.2 SSP Input-Output Methods

Name	From	To	Format Type	Distribution Type	Entry Type	Related SFI
API input parameters (plaintext)	Calling application (TOEPP)	Cryptographic module	Plaintext (P)	Manual (MD)	Electronic (EE)	AES-KW, AES-KWP [SP 800-38F]; AES-GCM [SP 800-38D]
API input parameters (encrypted)			Encrypted (E) with AES GCM, KW, KWP			
API output parameters (plaintext)	Cryptographic module	Calling application (TOEPP)	Plaintext (P)			
API output parameters (encrypted)			Encrypted (E) with AES GCM, KW, KWP			

Table 19 – SSP Input-Output

### 9.3 SSP Zeroization Methods

Zeroization Method	Description	Rationale	Operator Initiation
Calling the zeroization API	Zeroizes the SSPs	Memory occupied by SSPs is overwritten with zeroes, which renders the SSP values irretrievable.	By calling the C_DestroyObject function
Automatic	Automatically zeroized by the module when no longer needed		N/A
Remove power from the module	De-allocates the volatile memory used to store SSPs	Volatile memory used by the module is overwritten within nanoseconds when power is removed	By removing power

Table 20 - SSP Zeroization Methods

All data output is inhibited during zeroization.

### 9.4 SSPs

Name	Description	Size	Strength	Type	Generated By	Established By
AES Key	AES key used for Encryption, Decryption, Key Wrapping, Key Unwrapping, Message Authentication,	128-256 bits	128-256 bits	Symmetric key	CKG (SP 800-133r2, Section 6.1)	N/A

Name	Description	Size	Strength	Type	Generated By	Established By
	Message Authentication Verification					
Wrapped Key	Wrapped key	128-8192 bits	112-256 bits	Wrapped key	N/A	AES-GCM, AES-KW, AES-KWP
Unwrapped Key	Unwrapped key	128-8192 bits	112-256 bits	Unwrapped key	N/A	AES-GCM, AES-KW, AES-KWP
Key To Be Wrapped	Key To Be Wrapped	128-256 bits	112-256 bits	Key To Be Wrapped	N/A	AES-GCM, AES-KW, AES-KWP
Key To Be Unwrapped	Key To Be Unwrapped	128-256 bits	112-256 bits	Key To Be Unwrapped	N/A	AES-GCM, AES-KW, AES-KWP
HMAC Key	HMAC key used for Message Authentication, Message Authentication Verification	112-524288 bits	112-256 bits	Authentication key	CKG (SP 800-133r2, Section 6.1)	N/A
Key-Derivation Key	Key for key derivation with KBKDF	112-4096 bits	112-256 bits	Key-derivation key	CKG (SP 800-133r2, Section 6.1)	N/A
Shared Secret	Shared secret established by KAS-ECC-SSC/KAS-FFC-SSC	256-8192 bits	112-256 bits	Shared secret	N/A	KAS-ECC-SSC, KAS-FFC-SSC (according to SP 800-56Ar3)
Password	PBKDF2 password	64-1024 bits	N/A	Password	N/A	N/A
Derived Key	KBKDF derived key	128-4096 bits	112-256 bits	Derived key	KBKDF	N/A
	PBKDF2 derived key	128-4096 bits			PBKDF2	
	KDA HKDF derived key	2048 bits			KDA HKDF	
	TLS 1.0/1.1 KDF derived key	384 bits			TLS 1.0/1.1 KDF	
	TLS v1.2 KDF (RFC7627) derived key	1024 bits			TLS v1.2 KDF	
	IKEv2 KDF derived key	1056 and 3072 bits			IKEv2 KDF	
Entropy Input	Entropy input used to seed the DRBG	256 bits	256 bits	Entropy	ENT (NP) See Table 11	N/A
DRBG Seed IG D.L compliant	DRBG seed derived from entropy input as defined in SP 800-90Ar1	256 bits	256 bits	Seed	Hash_DRBG (according to SP800-90Ar1)	N/A
Internal State (V, C) IG D.L compliant	Internal state of Hash_DRBG	Hash_DRBG: 128, 256 bits	256 bits	Internal state	Hash_DRBG (derived from DRBG Seed as defined in SP800-90Ar1)	N/A
DH Public Key	Public key used by DH	2048, 3072, 4096, 6144, 8192 bits	112-200 bits	Public key	Safe Primes (SP 800-56Ar3 section 5.6.1.1.4 Testing Candidates)  Hash_DRBG (for generation of random values per SP 800-	N/A
DH Private Key	Private key used by DH			Private key		

Name	Description	Size	Strength	Type	Generated By	Established By
					90Ar1)	
EC Private Key	Private key used for ECDSA Signature Generation and Shared Secret Computation	P-256, P-384, P-521	128-256 bits	Private key	ECDSA (FIPS 186-4 Appendix B.4.1 Extra Random Bits)  Hash_DRBG (for generation of random values per SP 800-90Ar1)	N/A
EC Public Key	Public key used for ECDSA Signature Verification and Shared Secret Computation			Public key		
RSA Private Key	Private key used for RSA signature generation	2048, 3072, 4096 bits	112, 128, 150 bits	Private key	RSA (FIPS 186-4 Appendix B.3.3 Probable Primes)	N/A
RSA Public Key	Public key used for RSA signature verification	1024, 2048, 3072, 4096 bits	80, 112, 128, 150 bits	Public key	Hash_DRBG (for generation of random values per SP 800-90Ar1)	
DSA Public Key	Public key used for DSA signature verification	(1024, 160), (2048, 224), (2048, 256), (3072, 256)	80, 112, 128 bits	Public key	N/A	N/A
Intermediate Key Generation Value	Intermediate key generation value	112-8192 bits	112-256 bits	Intermediate Value	CKG (SP 800-133r2 Section 4, 6.1)	N/A

Table 21 – SSP Information First

Name	Used By	Inputs/Outputs	Storage	Storage Duration	Zeroization	Type	Related SSPs
AES Key	Encryption, Decryption, Key Wrapping, Key Unwrapping, Message Authentication, Message Authentication Verification	API input parameters (encrypted); API output parameters (encrypted)	RAM	Until explicitly zeroized by operator	Destroy object, remove power from the module	CSP	N/A
Wrapped key	Key wrapping						Wrapped using Symmetric key (AES Key)
Unwrapped key	Key unwrapping	No input; API output parameters (plaintext)					Unwrapped using Symmetric key (AES Key)
Key To Be Wrapped	Key wrapping	API input parameters (plaintext); No output					Key to be wrapped using Symmetric key (AES Key)
Key To Be Unwrapped	key unwrapping	API input parameters (encrypted); No output					Key to be unwrapped using Symmetric key (AES Key)
HMAC Key	Message Authentication,	API input parameters					N/A

Name	Used By	Inputs/Outputs	Storage	Storage Duration	Zeroization	Type	Related SSPs
	Message Authentication Verification	(encrypted); API output parameters (encrypted)					
Key-Derivation Key	Key-Based Key Derivation	API input parameters (encrypted); API output parameters (encrypted)					Used for deriving a key (i.e., Derived Key)
Shared Secret	Shared Secret Computation, Key Derivation	API input parameters (encrypted); API output parameters (encrypted)					Established using DH public, DH Private Key, EC Public Key, EC Private Key, Derived Key
Password	Password-Based Key Derivation	API input parameters (plaintext); No output					Used for deriving a key (i.e., Derived Key)
Derived Key	Key Derivation, Key-Based Key Derivation, Password-Based Key Derivation	No input; API output parameters (encrypted)					Derived from Key-Derivation Key, Shared Secret or Password
Entropy Input	Random Number Generation	No input; No output		From generation until DRBG Seed is created	Automatic, remove power from the module		Used for deriving DRBG Seed
DRBG Seed IG D.L compliant				While the DRBG is instantiated			Derived from Entropy Input; used for the generation of Internal State (V, C)
Internal State (V, C) IG D.L compliant				While the module is operational		Remove power from the module	Generated from DRBG Seed
DH Public Key	Shared Secret Computation, Key Pair Generation	API input parameters (encrypted); API output parameters (encrypted)		For the duration of the service	Destroy object, remove power from the module	PSP	Paired with DH Private Key; used for establishing Shared Secret
DH Private Key			CSP			Paired with DH Public Key, used for establishing Shared Secret	
EC Public Key	Shared Secret Computation, Signature Verification	API input parameters (encrypted); API output parameters (encrypted)				PSP	Paired with EC Private Key; used for establishing Shared Secret
EC Private Key	Shared Secret Computation, Signature Generation					CSP	Paired with EC Public Key; used for establishing Shared Secret
RSA Public Key	Signature Verification	API input parameters				PSP	Paired with RSA Private Key



Name	Used By	Inputs/Outputs	Storage	Storage Duration	Zeroization	Type	Related SSPs
RSA Private Key	Signature Generation	(encrypted); API output parameters (encrypted)				CSP	Paired with RSA Public Key
DSA Public Key	Signature Verification	API input parameters (encrypted); No output				PSP	N/A
Intermediate Key Generation Value	Key Pair Generation	N/A			Automatically	CSP	Generated during the generation of RSA Public Key, RSA Private Key, DH Public Key, DH Private Key, EC Public Key, EC Private Key

**Table 22 – SSP Information Second**

## 9.5 Transitions

The SHA-1 algorithm as implemented by the module will be non-approved for all purposes, starting January 1, 2031.

The RSA, ECDSA algorithm as implemented by the module conforms to FIPS 186-4, which has been superseded by FIPS 186-5. FIPS 186-4 will be withdrawn on February 3, 2024.

## 10 Self-Tests

### 10.1 Pre-Operational Self-Tests

Algorithm	Implementation	Test Properties	Test Method	Test Type	Indicator	Details
HMAC-SHA-256	Generic C	256-bit key	Message Authentication	Software integrity	Module becomes operational	Integrity test for libfreeblpriv3.so and libsoftokn3.so

**Table 23 - Pre-Operational Self-Tests**

The pre-operational software integrity test is performed automatically, after the CASTs, when the module is powered on before the module transitions into the operational state. While the module is executing the self-tests, services are not available, and data output (via the data output interface) is inhibited until the tests are successfully completed. The module transitions to the operational state only after the pre-operational self-test has passed successfully. If the pre-operational self-test fails, the module transitions to the error (i.e., Power-On Error) state.

### 10.2 Conditional Self-Tests

Algorithm	Implementation	Test Properties	Test Method	Type	Indicator	Details	Conditions
SHA-224	Generic C	512-bit message	KAT	CAST	Module is operational	Message Digest	Freebl initialization
SHA-256							
SHA-384							
SHA-512							
AES-ECB	AESNI, CE, Generic C	128, 192, 256-bit key 128-bit plaintext				Encryption	
						Decryption	
AES-CBC						Encryption	
		Decryption					
AES-GCM						Encryption	
						Decryption	
AES-CMAC	Generic C	128, 192, 256-bit key 128-bit message				Message Authentication	
HMAC SHA-224							
HMAC SHA-256							
HMAC SHA-384							
HMAC SHA-512							
KBKDF		Counter mode HMAC SHA-256 576-bit input key					
HKDF	SHA-256 512-bit input secret						
TLS 1.0/1.1 KDF	MD5-SHA-1 288-bit input secret						
TLS 1.2 KDF	SHA-256 288-bit input secret						
IKEv2 PRF	SHA-1, SHA-256, SHA-384,						
						Key Derivation	Softoken initialization
							Freebl initialization
							Softoken initialization

Algorithm	Implementation	Test Properties	Test Method	Type	Indicator	Details	Conditions
		SHA-512 80, 128, 144-bit input secret					
PBKDF2		SHA-256 14-character password 128-bit salt Iteration count: 5					
Hash_DRBG		SHA-256 without prediction resistance				Instantiate Generate Reseed Generate (compliant with SP 800- 90A Section 11.3)	Freebl initialization
KAS-FFC-SSC		2048-bit key				Shared Secret Computation	
KAS-ECC-SSC		P-256					
RSA		PKCS#1 v1.5 with SHA-256, SHA-384, SHA-512 2048-bit key				Signature Generation Signature Verification	Softoken initialization
DSA		1024-bit key				Signature Verification	Freebl initialization
ECDSA		SHA-256 P-256				Signature Generation Signature Verification	Freebl initialization
Safe Primes		N/A	PCT	Conditional Pairwise Consistency Self-Test	Key Pair Generation is successful	SP 800-56Ar3 Section 5.6.2.1.4	Key Pair Generation
ECDH							
RSA		PKCS#1 v1.5 with SHA-256				Signature Generation & Signature Verification	
ECDSA		SHA-256					

**Table 24 - Conditional Self-Tests**

The module performs self-tests on all approved cryptographic algorithms as part of the approved services supported in the approved mode of operation, using the tests shown in Table 24. Data output through the data output interface is inhibited during the self-tests. If any of these tests fails, the module transitions to the Power-On Error state.

Upon generation of a DH, EC or RSA key pair, the module will perform a pair-wise consistency test (PCT) as shown in Table 24, which provides some assurance that the generated key pair is well formed. The test for DH and ECDH consists of the PCT described in Section 5.6.2.1.4 of SP 800-56Ar3. For ECDSA or RSA key pairs, the tests consist of performing signature generation and verification using the generated key pairs. Services are not available, and data output (via the data output interface) is inhibited during execution of the PCT. If a PCT test fails, the module transitions to the PCT Error state.

### 10.3 Periodic Self-Tests

The module does not implement any periodic self-tests.

### 10.4 Error States

Name	Description	Conditions	Recovery Method	Indicator
Power-On Error	An error occurred during the self-tests executed	Software integrity test failure	Restart of the module	Module will not load

Name	Description	Conditions	Recovery Method	Indicator
	on power-on	CAST failure		
PCT Error	An error occurred during a PCT	PCT failure		Module stops functioning (sftk_fatalError is set to TRUE)

**Table 25 - Error States**

In any error state, the output interface is inhibited, and the module accepts no more inputs or requests (as the module is no longer running).

## 10.5 Operator Initiation

The software integrity tests and CASTs can be invoked on demand by unloading and subsequently re-initializing the module. The PCTs can be invoked on demand by requesting the key pair generation service.



## 11 Life-Cycle Assurance

### 11.1 Startup Procedures

The module is distributed as part of the Oracle Linux 9 (OL9) RPM package in the form of `nss-softokn-3.90.0-3.0.1.el9_2_fips` and `nss-softokn-freebl-3.90.0-3.0.1.el9_2_fips` RPM packages that are located in the “Oracle Linux 9 Security Validation (Update 3)” yum repository (`ol9_u3_security_validation`).

The module can achieve the FIPS validated configuration by:

- For installation add the `fips=1` option to the kernel command line during the system installation. During the software selection stage, do not install any third-party software.
- Switching the system into the approved mode configuration after the installation. Execute the `fips-mode-setup --enable` command. Restart the system.

In both cases, the Crypto Officer must verify the Oracle Linux 9 system operates in the approved mode by executing the `fips-mode-setup --check` command, which should output “FIPS mode is enabled.”

For more information on Oracle Linux 9 system approved mode, please see Oracle Linux 9 product [documentation](#).

After installation of the `nss-softokn-3.90.0-3.0.1.el9_2_fips` and `nss-softokn-freebl-3.90.0-3.0.1.el9_2_fips` RPM packages, the Crypto Officer must execute the “Show Version” service by accessing the `CKA_NSS_VALIDATION_MODULE_ID` attribute of the `CKO_NSS_VALIDATION` object in the default slot. The object attribute must contain the value:

Oracle Linux 9 NSS Cryptographic Module 4.35.0-381552536e763d0c

Alternatively, the `/usr/lib64/nss/unsupported-tools/validation` tool is provided as a convenience by the `nss-tools-3.90.0-3.0.1.el9_2` RPM package. This tool performs the same steps, and outputs the FIPS module identifier as above. The cryptographic boundary consists only of the Softoken and Freebl libraries along with their associated integrity check values as listed in Table 2. If any other NSS API outside of these two libraries is invoked, the user is not interacting with the module specified in this Security Policy.

### 11.2 Administrator Guidance

See section 2.7 for algorithm-specific information.

### 11.3 Non-Administrator Guidance

There is no non-administrator guidance.

### 11.4 Maintenance Requirements

There are no maintenance requirements.

### 11.5 End of Life

As the module does not persistently store SSPs, secure sanitization of the module consists of unloading the module. This will zeroize all SSPs in volatile memory. Then, if desired, the `nss-softokn-3.90.0-3.0.1.el9_2_fips` and `nss-softokn-freebl-3.90.0-3.0.1.el9_2_fips` RPM packages can be uninstalled from the Oracle Linux 9 system.

## 12 Mitigation of Other Attacks

### Timing attacks on RSA:

**RSA blinding:** Timing attack on RSA was first demonstrated by Paul Kocher in 1996, who contributed the mitigation code to our module. Most recently Boneh and Brumley showed that RSA blinding is an effective defense against timing attacks on RSA.

**Specific Limit:** None

### Cache-timing attacks on the modular exponentiation operation used in RSA:

**Cache invariant modular exponentiation:** This is a variant of a modular exponentiation implementation that Colin Percival showed to defend against cache-timing attacks.

**Specific Limit:** This mechanism requires intimate knowledge of the cache line sizes of the processor. The mechanism may be ineffective when the module is running on a processor whose cache line sizes are unknown.

### Arithmetic errors in RSA signatures:

**Double-checking RSA signatures:** Arithmetic errors in RSA signatures might leak the private key. Ferguson and Schneier recommend that every RSA signature generation should verify the signature just generated.

**Specific Limit:** None

## 13 Glossary and Abbreviations

AES	Advanced Encryption Standard
AES-NI	Advanced Encryption Standard New Instructions
API	Application Programming Interface
CAST	Cryptographic Algorithm Self-Test
CAVP	Cryptographic Algorithm Validation Program
CBC	Cipher Block Chaining
CCM	Counter with Cipher Block Chaining-Message Authentication Code
CFB	Cipher Feedback
CMAC	Cipher-based Message Authentication Code
CMVP	Cryptographic Module Validation Program
CSP	Critical Security Parameter
CTR	Counter
CTS	Ciphertext Stealing
DH	Diffie-Hellman
DRBG	Deterministic Random Bit Generator
DSA	Digital Signature Algorithm
ECB	Electronic Code Book
ECC	Elliptic Curve Cryptography
ECDH	Elliptic Curve Diffie-Hellman
ECDSA	Elliptic Curve Digital Signature Algorithm
ENT (NP)	Non-physical Entropy Source
FFC	Finite Field Cryptography
FIPS	Federal Information Processing Standards
GCM	Galois Counter Mode
HKDF	HMAC-based Key Derivation Function
HMAC	Keyed-Hash Message Authentication Code
KAT	Known Answer Test
KBKDF	Key-based Key Derivation Function
MAC	Message Authentication Code
NIST	National Institute of Science and Technology
PAA	Processor Algorithm Acceleration
PBKDF2	Password-based Key Derivation Function v2
PKCS	Public-Key Cryptography Standards
RSA	Rivest, Shamir, Adleman
SHA	Secure Hash Algorithm
SSC	Shared Secret Computation
SSP	Sensitive Security Parameter
TOEPP	Tested Operational Environment's Physical Perimeter

## 14 References

FIPS 140-3	FIPS PUB 140-3 - Security Requirements For Cryptographic Modules March 2019 <a href="https://nvlpubs.nist.gov/nistpubs/FIPS/NIST.FIPS.140-3.pdf">https://nvlpubs.nist.gov/nistpubs/FIPS/NIST.FIPS.140-3.pdf</a>
FIPS 140-3 IG	Implementation Guidance for FIPS PUB 140-3 and the Cryptographic Module Validation Program <a href="https://csrc.nist.gov/Projects/cryptographic-module-validation-program/fips-140-3-ig-announcements">https://csrc.nist.gov/Projects/cryptographic-module-validation-program/fips-140-3-ig-announcements</a>
FIPS 180-4	Secure Hash Standard (SHS) March 2012 <a href="https://nvlpubs.nist.gov/nistpubs/FIPS/NIST.FIPS.180-4.pdf">https://nvlpubs.nist.gov/nistpubs/FIPS/NIST.FIPS.180-4.pdf</a>
FIPS 186-4	Digital Signature Standard (DSS) July 2013 <a href="https://nvlpubs.nist.gov/nistpubs/FIPS/NIST.FIPS.186-4.pdf">https://nvlpubs.nist.gov/nistpubs/FIPS/NIST.FIPS.186-4.pdf</a>
FIPS 186-5	Digital Signature Standard (DSS) February 2023 <a href="https://nvlpubs.nist.gov/nistpubs/FIPS/NIST.FIPS.186-5.pdf">https://nvlpubs.nist.gov/nistpubs/FIPS/NIST.FIPS.186-5.pdf</a>
FIPS 197	Advanced Encryption Standard November 2001 <a href="https://csrc.nist.gov/publications/fips/fips197/fips-197.pdf">https://csrc.nist.gov/publications/fips/fips197/fips-197.pdf</a>
FIPS 198-1	The Keyed Hash Message Authentication Code (HMAC) July 2008 <a href="https://csrc.nist.gov/publications/fips/fips198-1/FIPS-198-1_final.pdf">https://csrc.nist.gov/publications/fips/fips198-1/FIPS-198-1_final.pdf</a>
FIPS 202	SHA-3 Standard: Permutation-Based Hash and Extendable-Output Functions August 2015 <a href="https://nvlpubs.nist.gov/nistpubs/FIPS/NIST.FIPS.202.pdf">https://nvlpubs.nist.gov/nistpubs/FIPS/NIST.FIPS.202.pdf</a>
PKCS#1	Public Key Cryptography Standards (PKCS) #1: RSA Cryptography Specifications Version 2.1 February 2003 <a href="https://www.ietf.org/rfc/rfc3447.txt">https://www.ietf.org/rfc/rfc3447.txt</a>
RFC 3526	More Modular Exponential (MODP) Diffie-Hellman groups for Internet Key Exchange (IKE) May 2003 <a href="https://www.ietf.org/rfc/rfc3526.txt">https://www.ietf.org/rfc/rfc3526.txt</a>
RFC 5288	AES Galois Counter Mode (GCM) Cipher Suites for TLS August 2008 <a href="https://www.ietf.org/rfc/rfc5288.txt">https://www.ietf.org/rfc/rfc5288.txt</a>
RFC 7919	Negotiated Finite Field Diffie-Hellman Ephemeral Parameters for Transport Layer Security (TLS) August 2016 <a href="https://www.ietf.org/rfc/rfc7919.txt">https://www.ietf.org/rfc/rfc7919.txt</a>
RFC 8446	The Transport Layer Security (TLS) Protocol Version 1.3 August 2018 <a href="https://www.ietf.org/rfc/rfc8446.txt">https://www.ietf.org/rfc/rfc8446.txt</a>
SP 800-38A	Recommendation for Block Cipher Modes of Operation Methods and Techniques December 2001 <a href="https://csrc.nist.gov/publications/nistpubs/800-38a/sp800-38a.pdf">https://csrc.nist.gov/publications/nistpubs/800-38a/sp800-38a.pdf</a>
SP 800-38A Addendum	Recommendation for Block Cipher Modes of Operation: Three Variants of Ciphertext Stealing for CBC Mode October 2010 <a href="https://nvlpubs.nist.gov/nistpubs/Legacy/SP/nistspecialpublication800-38a-add.pdf">https://nvlpubs.nist.gov/nistpubs/Legacy/SP/nistspecialpublication800-38a-add.pdf</a>
SP 800-38B	Recommendation for Block Cipher Modes of Operation: The CMAC Mode for Authentication May 2005 <a href="https://csrc.nist.gov/publications/nistpubs/800-38B/SP_800-38B.pdf">https://csrc.nist.gov/publications/nistpubs/800-38B/SP_800-38B.pdf</a>
SP 800-38F	Recommendation for Block Cipher Modes of Operation: Methods for Key Wrapping December 2012 <a href="https://nvlpubs.nist.gov/nistpubs/SpecialPublications/NIST.SP.800-38F.pdf">https://nvlpubs.nist.gov/nistpubs/SpecialPublications/NIST.SP.800-38F.pdf</a>
SP 800-52r2	Guidelines for the Selection, Configuration, and Use of Transport Layer Security (TLS) Implementations August 2019 <a href="https://nvlpubs.nist.gov/nistpubs/SpecialPublications/NIST.SP.800-52r2.pdf">https://nvlpubs.nist.gov/nistpubs/SpecialPublications/NIST.SP.800-52r2.pdf</a>
SP 800-56Ar3	Recommendation for Pair-Wise Key Establishment Schemes Using Discrete Logarithm Cryptography April 2018 <a href="https://nvlpubs.nist.gov/nistpubs/SpecialPublications/NIST.SP.800-56Ar3.pdf">https://nvlpubs.nist.gov/nistpubs/SpecialPublications/NIST.SP.800-56Ar3.pdf</a>



SP 800-56Cr1	Recommendation for Key-Derivation Methods in Key-Establishment Schemes August 2020 <a href="https://nvlpubs.nist.gov/nistpubs/SpecialPublications/NIST.SP.800-56Cr1.pdf">https://nvlpubs.nist.gov/nistpubs/SpecialPublications/NIST.SP.800-56Cr1.pdf</a>
SP 800-56Cr2	Recommendation for Key-Derivation Methods in Key-Establishment Schemes August 2020 <a href="https://nvlpubs.nist.gov/nistpubs/SpecialPublications/NIST.SP.800-56Cr2.pdf">https://nvlpubs.nist.gov/nistpubs/SpecialPublications/NIST.SP.800-56Cr2.pdf</a>
SP 800-90Ar1	Recommendation for Random Number Generation Using Deterministic Random Bit Generators June 2015 <a href="https://nvlpubs.nist.gov/nistpubs/SpecialPublications/NIST.SP.800-90Ar1.pdf">https://nvlpubs.nist.gov/nistpubs/SpecialPublications/NIST.SP.800-90Ar1.pdf</a>
SP 800-90B	Recommendation for the Entropy Sources Used for Random Bit Generation January 2018 <a href="https://nvlpubs.nist.gov/nistpubs/SpecialPublications/NIST.SP.800-90B.pdf">https://nvlpubs.nist.gov/nistpubs/SpecialPublications/NIST.SP.800-90B.pdf</a>
SP 800-108r1	NIST Special Publication 800-108 - Recommendation for Key Derivation Using Pseudorandom Functions August 2022 <a href="https://nvlpubs.nist.gov/nistpubs/SpecialPublications/NIST.SP.800-108r1.pdf">https://nvlpubs.nist.gov/nistpubs/SpecialPublications/NIST.SP.800-108r1.pdf</a>
SP 800-131Ar2	Transitioning the Use of Cryptographic Algorithms and Key Lengths March 2019 <a href="https://nvlpubs.nist.gov/nistpubs/SpecialPublications/NIST.SP.800-131Ar2.pdf">https://nvlpubs.nist.gov/nistpubs/SpecialPublications/NIST.SP.800-131Ar2.pdf</a>
SP 800-132	Recommendation for Password-Based Key Derivation - Part 1: Storage Applications December 2010 <a href="https://csrc.nist.gov/publications/nistpubs/800-132/nist-sp800-132.pdf">https://csrc.nist.gov/publications/nistpubs/800-132/nist-sp800-132.pdf</a>
SP 800-133r2	Recommendation for Cryptographic Key Generation June 2020 <a href="https://nvlpubs.nist.gov/nistpubs/SpecialPublications/NIST.SP.800-133r2.pdf">https://nvlpubs.nist.gov/nistpubs/SpecialPublications/NIST.SP.800-133r2.pdf</a>
SP 800-135r1	Recommendation for Existing Application-Specific Key Derivation Functions December 2011 <a href="https://nvlpubs.nist.gov/nistpubs/Legacy/SP/nistspecialpublication800-135r1.pdf">https://nvlpubs.nist.gov/nistpubs/Legacy/SP/nistspecialpublication800-135r1.pdf</a>
SP 800-140B	CMVP Security Policy Requirements March 2020 <a href="https://nvlpubs.nist.gov/nistpubs/SpecialPublications/NIST.SP.800-140B.pdf">https://nvlpubs.nist.gov/nistpubs/SpecialPublications/NIST.SP.800-140B.pdf</a>